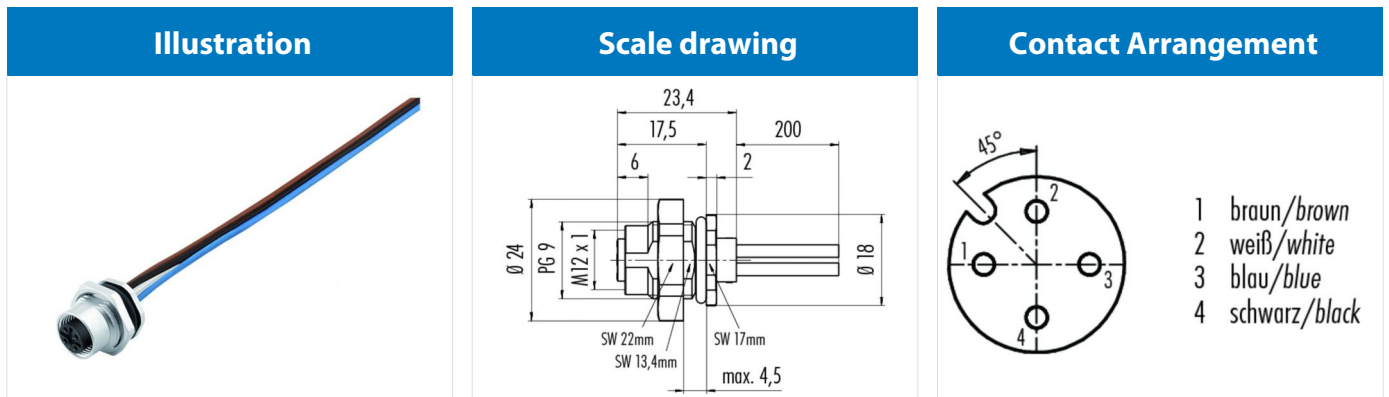


Product **Polzahl 4: Female panel mount connector, front fastened, with single wires, AWG 16**  
 Area **M12-A Series 713/763**  
 Article number **76 0632 1015 00004-0200**



**You can find the assembly instruction on the next page.**

## Technical data

### General features

Connector Design	female panel mount connector
Connector locking system	bolted
Termination	Strands
Wire gauge (mm)	1,5mm <sup>2</sup>
Wire gauge (AWG)	16
Upper temperature	85 °C
Lower temperature	-40 °C

### Electrical parameters

Rated voltage	250 V
Rated impulse voltage	2500 V
Pollution degree	3
Overvoltage category	II
Material group	II
Rated current (40°C)	8A
Volume resistivity	≤ 3 mΩ
EMV compliance	not shielded
Degree of protection	IP68
Mechanical operation	> 100 Mating cycles

### Material

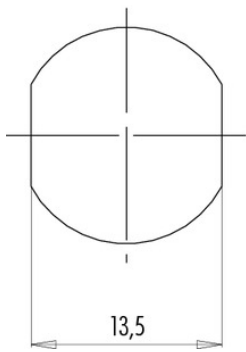
Material of contact	CuZn (Messing)
Contact plating	Au (gold)
Material of contact body	PA

Product **Polzahl 4: Female panel mount connector, front fastened, with single wires, AWG 16**  
 Area **M12-A Series 713/763**  
 Article number **76 0632 1015 00004-0200**

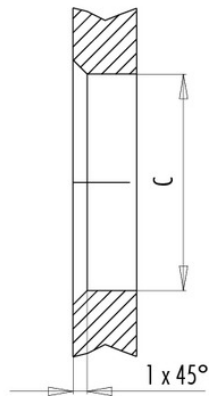
**Installation instructions / Mounting cutout**

Mit Fläche als Verdrehschutz  
With flats as anti-rotation device

PG 9/M16 x 1,5



Mit Durchgangsbohrung  
With bore hole



Mit Gewinde, einschraubbar  
With thread to screw in



alternativ/alternativ

	A	B	C
PG 9	PG 9	16,2	15,3
PG 13,5	PG 13,5	21,5	20,5
M16x1,5	M16x1,5	17,0	16,1
M20x1,5	M20x1,5	21,0	20,1

Anzugsdrehmoment/Tightening moment

Metallgehäuse/Metal housing 6,25 Nm  
 Kunststoffgehäuse/Plastic housing 3,75 Nm