

Product sheet

Miniature connector

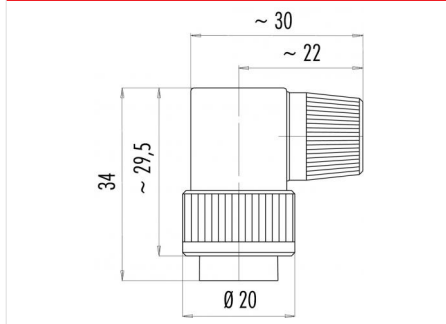


Product	Contacts: 8 DIN, male angled connector, cable outlet 4 – 6 mm	Area	Bayonet IP40 Series 678
Pole	8 DIN	Article number	99 0645 70 08

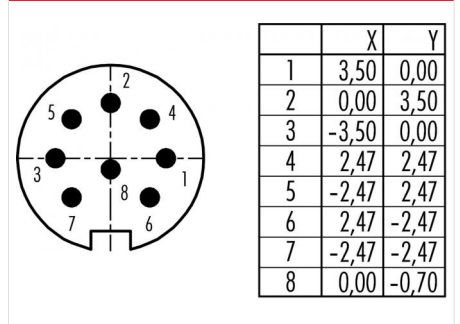
Illustration



Scale drawing



Contact Arrangement



You can find the item description on the next page.

Technical data

Common values

Connector Design	Male angled connector
Connector locking system	Bayonet
Termination	Solder
Wire gauge (mm)	0.75 mm ²
Wire gauge (AWG)	20
Cable outlet	4 - 6 mm
Upper temperature	85 °C
Lower temperature	-40 °C

Electrical values

Rated voltage	60 V
Rated impulse voltage	500 V
Pollution degree	1
Overvoltage category	I
Material group	III
Rated current (40°C)	5 A
Volume resistivity	≤ 5 mΩ
EMV compliance	not shielded
Degree of protection	IP40
Mechanical operation	> 500 mating cycles

Material

Material of contact	CuZn (Brass)
Contact plating	Ag (Silver)
Material of contact body	PBT (UL 94 V-0)
Material of housing	PA (UL 94 V-0)

Contacts: 8 DIN, male angled connector, cable outlet 4 – 6 mm

Product

**Contacts: 8 DIN, male angled connector,
cable outlet 4 – 6 mm
8 DIN**

Area
Article number

**Bayonet IP40 Series 678
99 0645 70 08**

Pole

Item description

