

Product sheet

Miniature connector

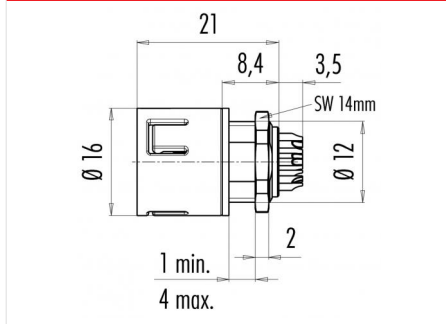


Product	Contacts: 12, male panel mount connector, blue	Area	Snap-in IP67 Series 720
Pole	12	Article number	99 9135 60 12

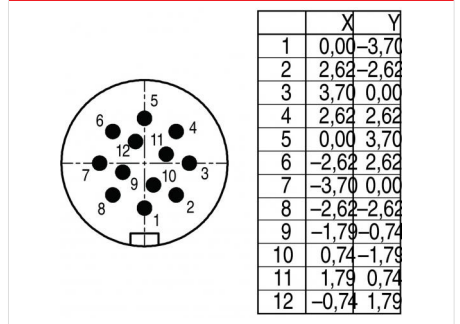
Illustration



Scale drawing



Contact Arrangement



You can find the item description and assembly instruction on the next page.

Technical data

Common values

Connector Design	Male panel mount connector
Connector locking system	Snap
Termination	Solder
Wire gauge (mm)	0.25 mm ²
Wire gauge (AWG)	24
Cable outlet	-
Upper temperature	85 °C
Lower temperature	-25 °C

Electrical values

Rated voltage	60 V
Rated impulse voltage	800 V
Pollution degree	2
Overvoltage category	II
Material group	II
Rated current (40°C)	2 A
Volume resistivity	≤ 3 mΩ
EMV compliance	not shielded
Degree of protection	IP67
Mechanical operation	> 500 mating cycles

Material

Material of contact	CuZn (Brass)
Contact plating	Au (Gold)
Material of contact body	PA (UL 94 V-0)
Material of housing	PA (UL 94 V-0)

Contacts: 12, male panel mount connector, blue

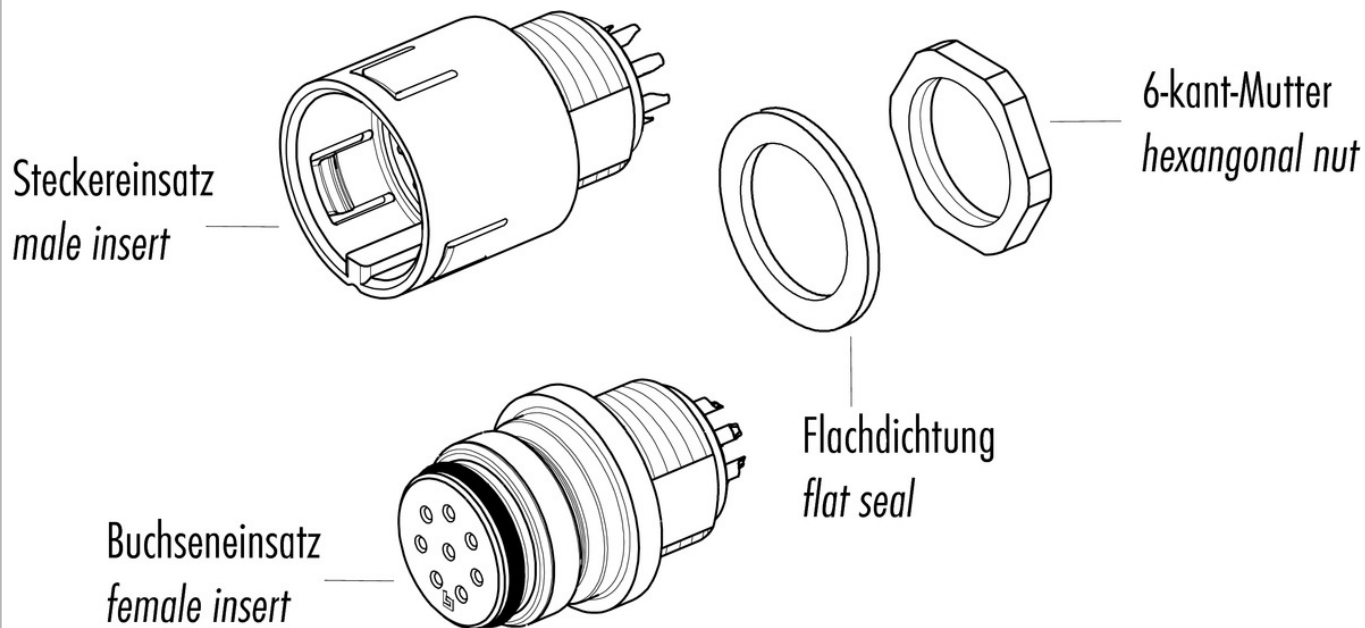
Product
Pole

Contacts: 12, male panel mount connector,
blue
12

Area
Article number

Snap-in IP67 Series 720
99 9135 60 12

Item description



Installation instructions / Mounting cutout

