

Product sheet

Miniature connector

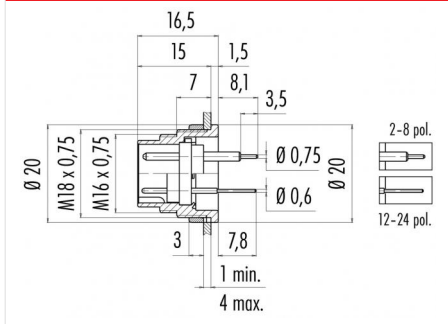


| | | | |
|---------|--------------------------------------------------------------------------------|----------------|--------------------------------------|
| Product | Contacts: 5, Male panel mount connector, dip-solder, screwed from front | Area | M16 IP40 Series 581/ 680/ 682 |
| Pole | 5 | Article number | 09 0315 90 05 |

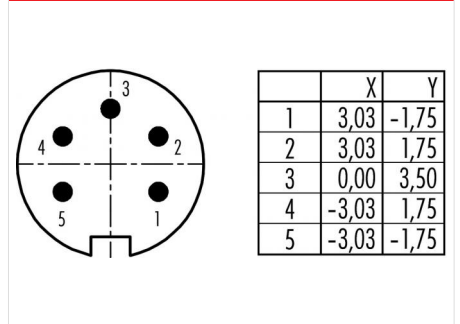
Illustration



Scale drawing



Contact Arrangement



You can find the assembly instruction on the next page.

Technical data

Common values

| | |
|--------------------------|----------------------------|
| Connector Design | Male panel mount connector |
| Connector locking system | screw |
| Termination | dip-solder |
| Wire gauge (mm) | - |
| Wire gauge (AWG) | - |
| Upper temperature | 85 °C |
| Lower temperature | -40 °C |

Electrical values

| | |
|-----------------------|---------------------|
| Rated voltage | 250 V |
| Rated impulse voltage | 1500 V |
| Pollution degree | 1 |
| Overvoltage category | I |
| Material group | III |
| Rated current (40°C) | 6 A |
| Volume resistivity | ≤ 5 mΩ |
| EMV compliance | shielded |
| Degree of protection | IP40 |
| Mechanical operation | > 500 mating cycles |

Material

| | |
|--------------------------|--------------------------------|
| Material of contact | CuZn (Brass) |
| Contact plating | Ag (Silver) |
| Material of contact body | PBT (UL 94 V-0) |
| Material of housing | Nickel-plated zinc die casting |

Contacts: 5, Male panel mount connector, dip-solder, screwed from front, silver plated contacts

Product

Contacts: 5, Male panel mount connector,
dip-solder, screwed from front
5

Area
Article number

M16 IP40 Series 581/ 680/ 682
09 0315 90 05

Pole

Installation instructions / Mounting cutout

