

Product sheet

Subminiature connector

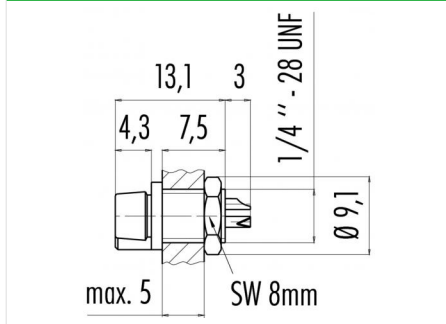


| | | | |
|---------|--|----------------|------------------------------------|
| Product | Contacts: 3, Female panel mount connector, solder | Area | Snap-in IP40 Series 709/719 |
| Pole | 3 | Article number | 09 9750 30 03 |

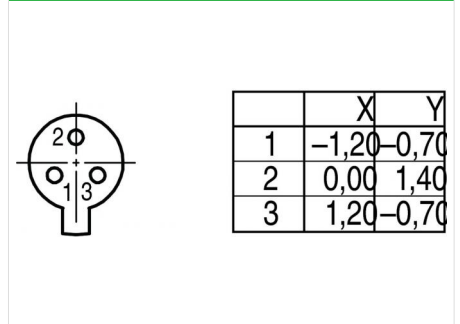
Illustration



Scale drawing



Contact Arrangement



You can find the item description and assembly instruction on the next page.

Technical data

Common values

| | |
|--------------------------|------------------------------|
| Connector Design | Female panel mount connector |
| Connector locking system | Snap |
| Termination | Solder |
| Wire gauge (mm) | 0.25 mm ² |
| Wire gauge (AWG) | 24 |
| Cable outlet | - |
| Upper temperature | 70 °C |
| Lower temperature | -25 °C |

Cable data

| | |
|------------------------|---|
| material housing | - |
| Insulation single lead | - |
| Single lead structure | - |
| Conductor resistance | - |

Electrical values

| | |
|-----------------------|---------------------|
| Rated voltage | 60 V |
| Rated impulse voltage | 800 V |
| Pollution degree | 1 |
| Overvoltage category | II |
| Material group | III |
| Rated current (40°C) | 3 A |
| Volume resistivity | ≤ 3 mΩ |
| EMV compliance | not shieldable |
| Degree of protection | IP40 |
| Mechanical operation | > 100 mating cycles |

Material

| | |
|--------------------------|---------------|
| Material of contact | CuSn (Bronze) |
| Contact plating | Au (Gold) |
| Material of contact body | PA |
| Material of housing | PA |

Contacts: 3, Female panel mount connector, solder

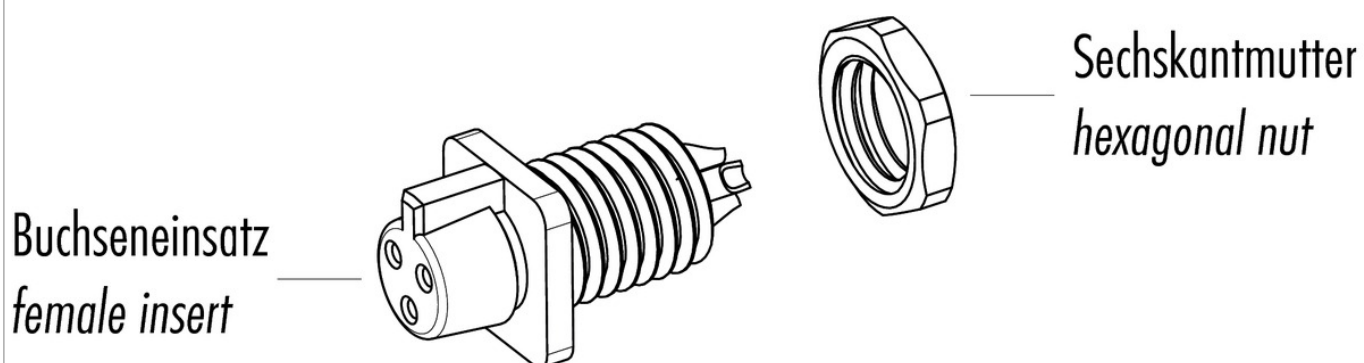
Product
Pole

Contacts: 3, Female panel mount
connector, solder
3

Area
Article number

Snap-in IP40 Series 709/719
09 9750 30 03

Item description



Installation instructions / Mounting cutout

