

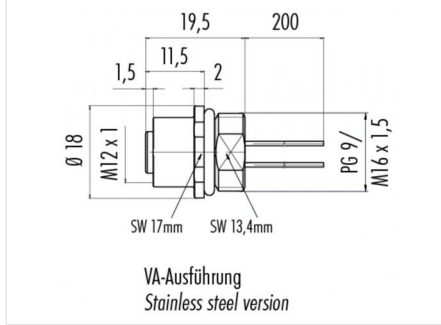
Product **Contacts: 5, Female panel mount connector with single wires, 0.25 mm<sup>2</sup>, PG 9 VA**

Area **M12-A Series 713/763**  
Article number **76 2132 0111 00005-0200**

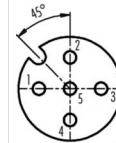
### Illustration



### Scale drawing



### Contact Arrangement



	X	Y
1	-2,50	0,00
2	0,00	2,50
3	2,50	0,00
4	0,00	-2,50
5	0,00	0,00

- 1 braun/brown
- 2 weiß/white
- 3 blau/blue
- 4 schwarz/black
- 5 grau/grey

Geschirmte Versionen: Schirm auf Gehäuse  
Shielded versions: shield on housing

You can find the assembly instruction on the next page.

## Technical data

### General features

Connector Design female panel mount connector  
Connector locking system bolted  
Termination Strands  
Wire gauge (mm) 0,25 mm<sup>2</sup>  
Wire gauge (AWG) 24  
Upper temperature 85 °C  
Lower temperature -40 °C

### Cable data

Approval 1 UL

### Electrical parameters

Rated voltage 125 V  
Rated impulse voltage 1500 V  
Pollution degree 3  
Overvoltage category II  
Material group II  
Rated current (40°C) 4 A  
Volume resistivity ≤ 3 mΩ  
EMV compliance not shielded  
Degree of protection IP68  
Mechanical operation > 100 Mating cycles

### Material

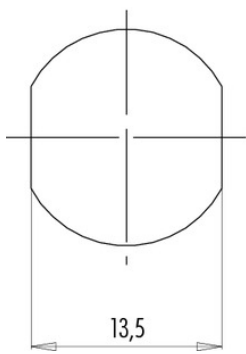
Material of contact CuSn (Bronze)  
Contact plating Au (gold)  
Material of contact body PA

Product **Contacts: 5, Female panel mount connector with single wires, 0.25 mm<sup>2</sup>, PG 9 VA**  
 Area **M12-A Series 713/763**  
 Article number **76 2132 0111 00005-0200**

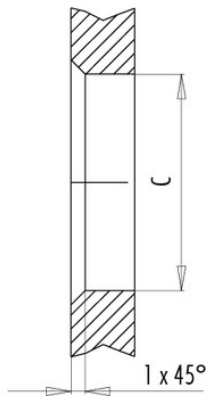
**Installation instructions / Mounting cutout**

Mit Fläche als Verdrehschutz  
With flats as anti-rotation device

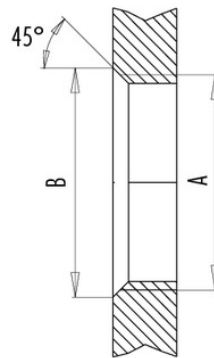
PG 9/M16 x 1,5



Mit Durchgangsbohrung  
With bore hole



Mit Gewinde, einschraubbar  
With thread to screw in



alternativ/alternativ

	A	B	C
PG 9	PG 9	16,2	15,3
PG 13,5	PG 13,5	21,5	20,5
M16x1,5	M16x1,5	17,0	16,1
M20x1,5	M20x1,5	21,0	20,1

Anzugsdrehmoment/Tightening moment

Metallgehäuse/Metal housing 6,25 Nm  
 Kunststoffgehäuse/Plastic housing 3,75 Nm