
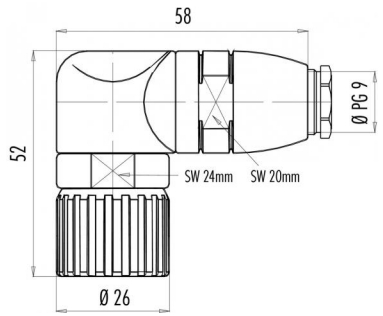
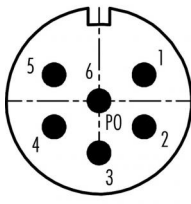


Product sheet

Output connector



Product	Contacts: 6, Male angled connector, right-turning (the pin and socket insert counter-rotate in right and left turning models)	Area	M23 Power Series 623
Pole	6	Article number	99 4635 70 06

Illustration	Scale drawing	Contact Arrangement																					
		 <table border="1" style="margin-left: 20px;"> <thead> <tr> <th></th> <th>X</th> <th>Y</th> </tr> </thead> <tbody> <tr><td>1</td><td>4,13</td><td>2,38</td></tr> <tr><td>2</td><td>4,13</td><td>-2,38</td></tr> <tr><td>3</td><td>0,00</td><td>-4,75</td></tr> <tr><td>4</td><td>-4,13</td><td>-2,38</td></tr> <tr><td>5</td><td>-4,13</td><td>2,38</td></tr> <tr><td>6</td><td>0,00</td><td>0,00</td></tr> </tbody> </table>		X	Y	1	4,13	2,38	2	4,13	-2,38	3	0,00	-4,75	4	-4,13	-2,38	5	-4,13	2,38	6	0,00	0,00
	X	Y																					
1	4,13	2,38																					
2	4,13	-2,38																					
3	0,00	-4,75																					
4	-4,13	-2,38																					
5	-4,13	2,38																					
6	0,00	0,00																					

You can find the assembly instruction on the next page.

Technical data

Common values

Connector Design	Male angled connector
Connector locking system	screw
Termination	Solder
Wire gauge (mm)	2.50 mm ²
Wire gauge (AWG)	14
Cable outlet	6 - 10 mm
Upper temperature	125 °C
Lower temperature	-20 °C

Electrical values

Rated voltage	300 V
Rated impulse voltage	2500 V
Pollution degree	3
Overvoltage category	II
Material group	III
Rated current (40°C)	20 A
Volume resistivity	≤ 3 mΩ
EMV compliance	not shielded
Degree of protection	IP67
Mechanical operation	> 50 mating cycles

Material

Material of contact	CuZn (Brass)
Contact plating	Au (Gold)
Material of contact body	PBT/PA66
Material of housing	CuZn (Brass nickel-plated)

Contacts: 6, Male angled connector, right-turning

Product

Contacts: 6, Male angled connector, right-turning (the pin and socket insert counter-rotate in right and left turning models)

Area

M23 Power Series 623

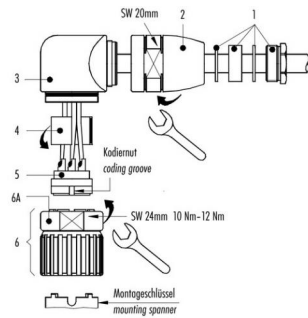
Article number

99 4635 70 06

Pole

6

Installation instructions / Mounting cutout



- Kabelverschraubung Pos. 1, Adapter Pos. 2 und Winkelkörper Pos. 3 auf des Kabel schieben.
- Kabel Außenmantel 30 mm abschleifen.
- Füll-, Füll- und innere Isolierungen abschneiden.
- Litzen 3,5 mm abschleifen, verdrehen und verzinnen.
- Litzen an Kontakte löten, crimpen oder schrauben.
- Distanzhülse Pos. 4 einfügen.
- Einsetz Pos. 5 und Distanzhülse Pos. 4 in Einheit Pos. 6 einführen. Hierbei ist zu beachten, daß die gewünschte Kodiernut der Einsetz Pos. 5 in den Kodiersteg eingeführt wird.
- Gesamte Einheit in Winkelkörper einführen (Achtung: acht Kodiermöglichkeiten) und mit Mutter Pos. 6A sichern (Anzugsdrehmoment: 10 Nm bis 12 Nm).
- Adapter Pos. 2 Festschrauben auf Anschlag.
- Kabelverschraubung Pos. 1 Festschrauben.

Anzugsdrehmoment für Klemmschraube Kontakteinsatz Pos. 5 mit Schraubkontakten beachten:

- max. 0,1 Nm für Schraubkontakte Steckdurchmesser 1 mm
- max. 0,2 Nm für Schraubkontakte Steckdurchmesser 2 mm

- Push the cable screw connection (1), adapter (2) and angled housing (3) onto the cable.
- Strip the cable coating by 30 mm.
- Trim foil, filler and inner insulation.
- Strip the single wires by 3.5 mm, twist and tin.
- Solder, crimp or screw the single wires to the contacts.
- Insert the distance shell (4).
- Guide the insert (5) and distance shell (4) into the unit (6), mind that the desired coding groove of the insert (5) is pushed into the coding bar.
- Insert the entire unit into the angle housing (Attention: eight coding options) and secure with nut (6A) (torque: 10 Nm up to 12 Nm).
- Screw the adapter (2) as tight as possible.
- Screw the cable gland (1) as tight as possible.

Please note: torque for clamping screw for contact insert (5) with screw contacts:

- max. 0,1 Nm for screw contacts with mating dia. 1 mm
- max. 0,2 Nm for screw contacts with mating dia. 2 mm