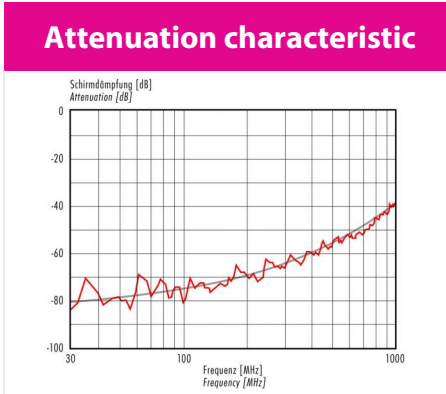
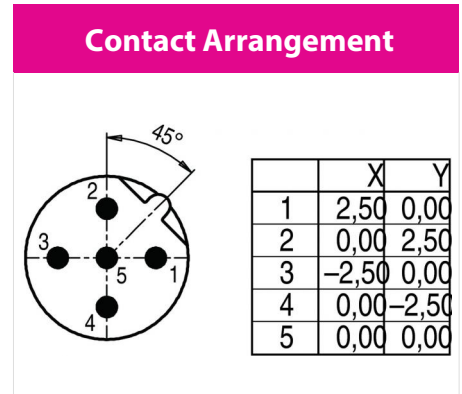
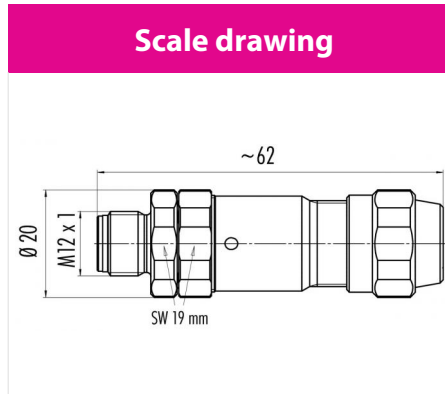


Product	Contacts: 5, Cable plug connector, shieldable, screw terminal connection, stainless steel model, with UL approval	Area	M12-B Series 715
Pole	5	Article number	99 1437 995 05



You can find the item description and assembly instruction on the next page.

Technical data

Common values

Connector Design	Cable plug connector
Connector locking system	screw
Termination	Screwing
Wire gauge (mm)	0.75 mm ²
Wire gauge (AWG)	18
Cable outlet	5.5 - 8.6 mm
Upper temperature	85 °C
Lower temperature	-40 °C

Cable data

material housing	-
Insulation single lead	-
Single lead structure	-
Conductor resistance	-
Bending radius cable fixed	-
Bending radius cable movable	-

Electrical values

Rated voltage	125 V
Rated impulse voltage	1500 V
Pollution degree	3
Overtoltage category	II
Material group	III
Rated current (40°C)	4 A
Volume resistivity	≤ 3 mΩ
EMV compliance	geschirmt
Degree of protection	IP67
Mechanical operation	> 100 mating cycles

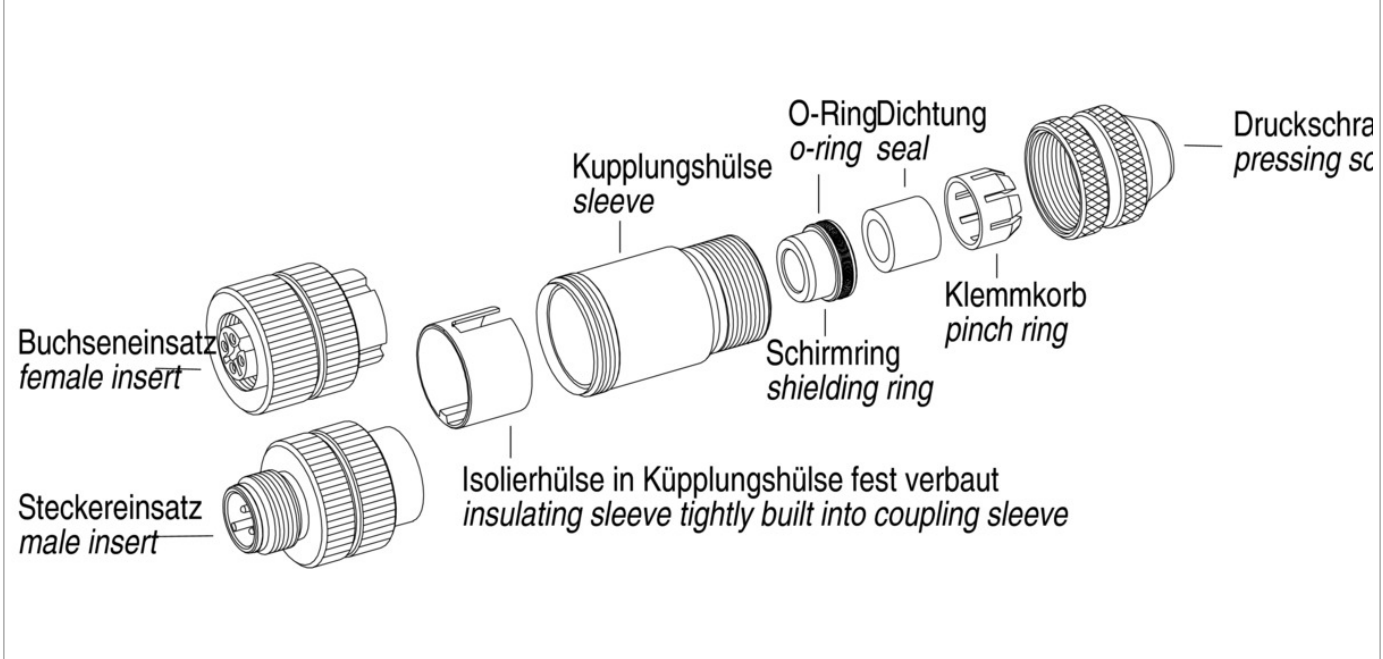
Material

Material of contact	CuZn (Brass)
Contact plating	Au (Gold)
Material of contact body	PA
Material of housing	Nickel-plated zinc die casting / stainless steel 1.4404

cable outlet: 5.5 – 8.6 mm, Contacts: 5, Cable plug connector, shieldable, screw terminal connection, static ring version, stainless steel model, with UL approval

Product	Contacts: 5, Cable plug connector, shieldable, screw terminal connection, stainless steel model, with UL approval	Area	M12-B Series 715
Pole	5	Article number	99 1437 995 05

Item description



Installation instructions / Mounting cutout

