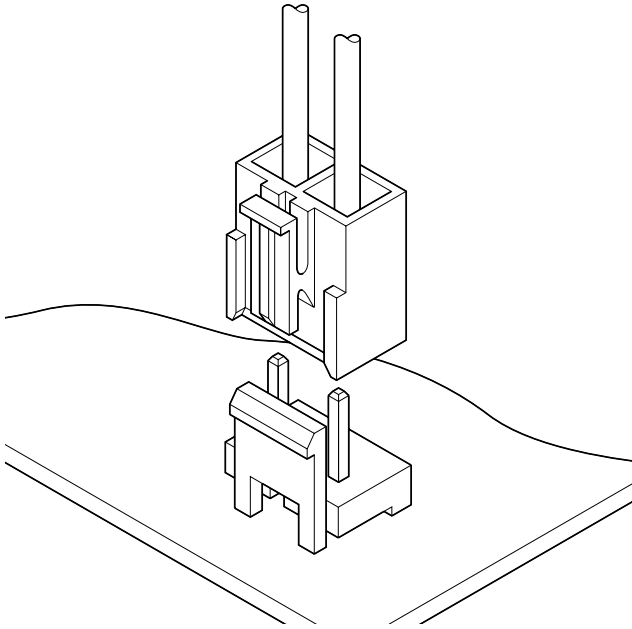




# NV CONNECTOR

5.0mm pitch/Disconnectable Crimp style connectors



- Side stackable
- Box contact
- Compact connector with a large capacity
- Secure contact and mounting

## Specifications

- Current rating: 10A AC, DC (AWG #16)
- Voltage rating: 250V AC, DC
- Temperature range: -25°C to +85°C  
(including temperature rise in applying electrical current)
- Contact resistance: Initial value/10m Ω max.  
After environmental testing/20m Ω max.
- Insulation resistance: 1,000M Ω min.
- Withstanding voltage: 1,500V AC/minute
- Applicable wire: AWG #22 to #16
- Applicable PC board thickness: 1.6mm
- \* Compliant with RoHS.
- \* Refer to "General Instruction and Notice when using Terminals and Connectors" at the end of this catalog.
- \* Contact JST for details.

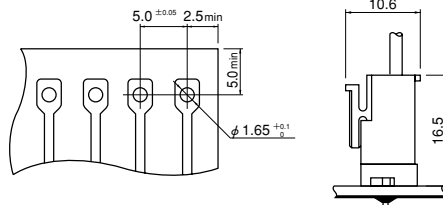
## Standards

Recognized E60389

Certified LR20812

R9251676

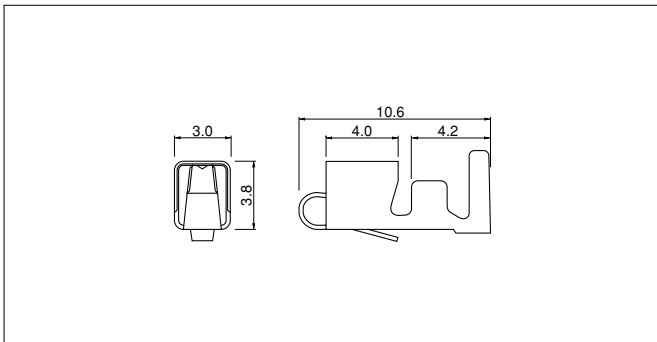
## PC board layout (viewed from soldering side) and Assembly layout



Note: 1. Tolerances are non-cumulative: ±0.05mm for all centers.

2. Hole dimensions differ according to the kind of PC board and piercing method. The dimensions above should serve as a guideline.  
Contact JST for details.

## Contact



Model No.	Applicable wire		Insulation O.D. (mm)	Q'ty / reel
	mm <sup>2</sup>	AWG #		
SVH-21T-P1.1	0.33~0.83	22~18	1.7~3.0	4,500
SVH-41T-P1.1	0.5 ~1.25	20~16	1.7~3.0	3,500

### Material and Finish

Phosphor bronze, tin-plated (reflow treatment)

### RoHS compliance

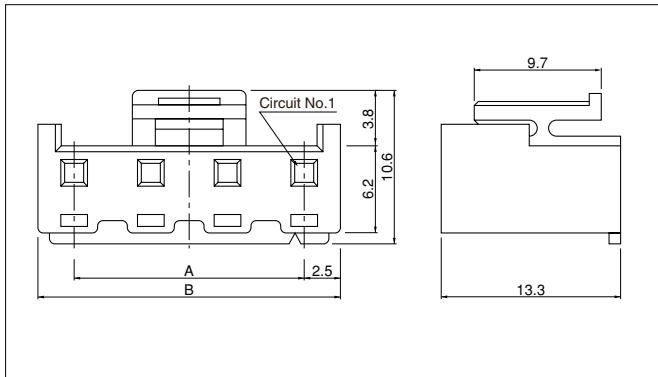
Note: Contact JST for brass products.

Contact	Crimping machine	Applicator		
		Crimp applicator	Dies	Crimp applicator with dies
SVH-21T-P1.1	AP-K2N	MKS-L	MK/SVH-21-11	APLMK SVH21-11
		*MKS-SC	SC/SVH-21-11	APLSC SVH21-11
SVH-41T-P1.1		MKS-L	MK/SVH-41-11	APLMK SVH41-11
		—	—	—

Note: \*Strip-crimp applicator

# NV CONNECTOR

## Housing



Circuits	Model No.	Dimensions (mm)		Q'ty / bag
		A	B	
2	<b>NVR-02</b>	5.0	10.0	1,000
3	<b>NVR-03</b>	10.0	15.0	500
4	<b>NVR-04</b>	15.0	20.0	1,000

### Material

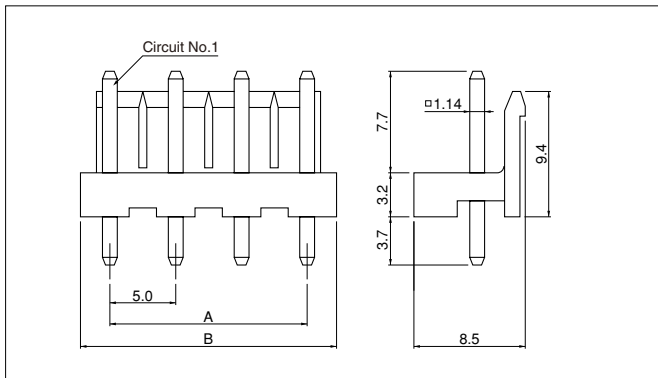
PA 6, UL94V-0, natural (white)

### RoHS compliance

<For reference> As the color identification, the following alphabet shall be put in the underlined part. For availability, delivery and minimum order quantity, contact JST.

ex. **NVR-02-oo**  
(blank)...natural (white)  
E...blue

## Locking header



Circuits	Model No.	Dimensions (mm)		Q'ty / box
		A	B	
2	<b>B02P-NV</b>	5.0	10.0	1,000
3	<b>B03P-NV</b>	10.0	15.0	700
4	<b>B04P-NV</b>	15.0	20.0	500

### Material and Finish

Post: Brass, copper-undercoated, tin-plated (reflow treatment)  
Wafer: B02P-NV...PA 66,UL94V-0, natural (white)  
B03P-NV & B04P-NV...Glass-filled PBT, UL94V-0, natural (white)

### RoHS compliance

This product displays (LF)(SN) on a label. <For reference> As the color identification, the following alphabet shall be put in the underlined part. For availability, delivery and minimum order quantity, contact JST.

ex. **B02P-NV-oo**  
(blank)...natural (white)  
BL...blue