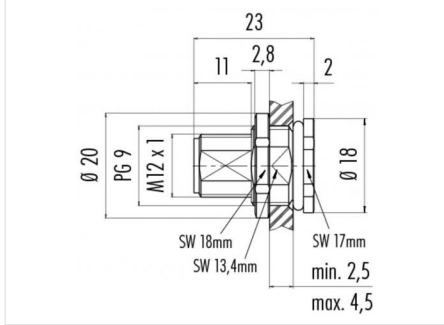


Product **Contacts: 4, Male panel mount connector, solder, screwed from front, unmounted PG 9**  
 Area **M12-A Series 713/763**  
 Article number **86 0531 1002 00004**

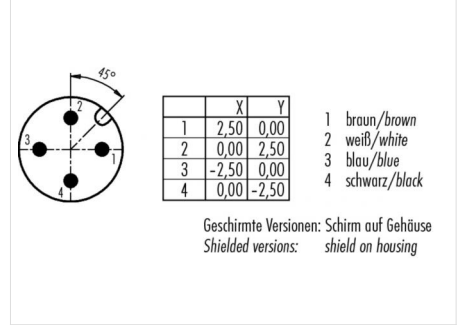
**Illustration**



**Scale drawing**



**Contact Arrangement**



You can find the assembly instruction on the next page.

**Technical data**

**General features**

Connector Design male panel mount connector  
 Connector locking system bolted  
 Termination solder  
 Wire gauge (mm) 0,25 mm<sup>2</sup>  
 Wire gauge (AWG) 24  
 Upper temperature 85 °C  
 Lower temperature -40 °C

**Cable data**

Approval 1 UL

**Electrical parameters**

Rated voltage 250 V  
 Rated impulse voltage 2500 V  
 Pollution degree 3  
 Overvoltage category II  
 Material group II  
 Rated current (40°C) 4 A  
 Volume resistivity ≤ 3 mΩ  
 EMV compliance not shielded  
 Degree of protection IP68  
 Mechanical operation > 100 Mating cycles

**Material**

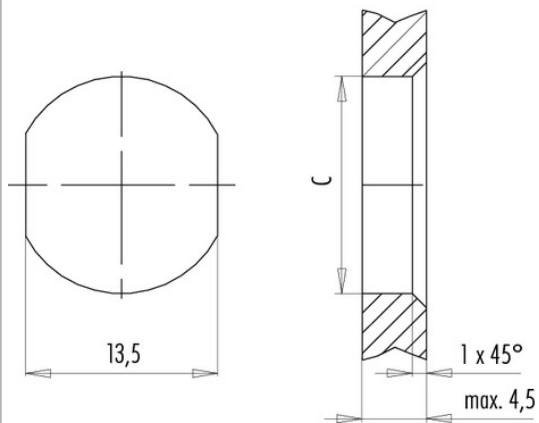
Material of contact CuZn (Messing)  
 Contact plating Au (gold)  
 Material of contact body PA

Product **Contacts: 4, Male panel mount connector, solder, screwed from front, unmounted PG 9**  
 Area **M12-A Series 713/763**  
 Article number **86 0531 1002 00004**

**Installation instructions / Mounting cutout**

Mit Fläche als Verdrehschutz  
With flats as anti-rotation device

Mit Durchgangsbohrung  
With bore hole



	C
PG 9	15,3
M16x1,5	16,1

Anzugsdrehmoment/Tightening moment

Metallgehäuse/Metal housing 6,25 Nm  
 Kunststoffgehäuse/Plastic housing 3,75 Nm