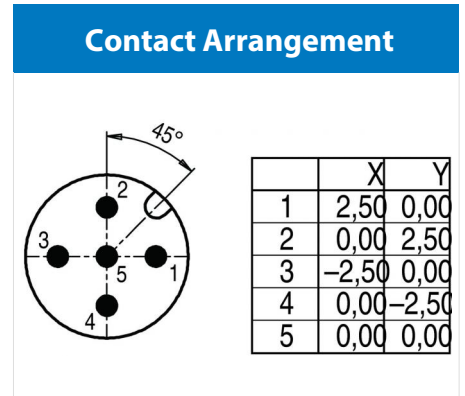
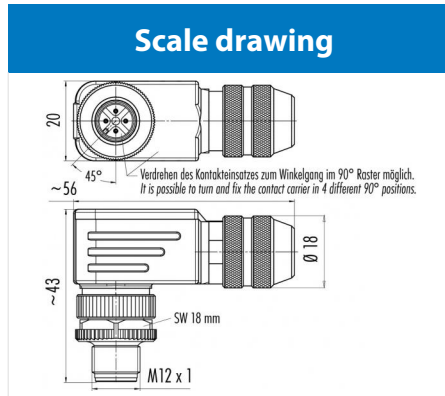


Product	Contacts 5: Male angled connector, shieldable with wire clamp connection, static ring version	Area	M12-A Series 713
Pole	5	Article number	99 1537 824 05



You can find the item description on the next page.

Technical data

Common values

Connector Design	Male angled connector
Connector locking system	screw
Termination	Wire tension spring
Wire gauge (mm)	0.50 mm ²
Wire gauge (AWG)	20
Cable outlet	4 - 6 mm
Upper temperature	85 °C
Lower temperature	-40 °C

Electrical values

Rated voltage	125 V
Rated impulse voltage	1500 V
Pollution degree	3
Overvoltage category	II
Material group	III
Rated current (40°C)	4 A
Volume resistivity	≤ 3 mΩ
EMV compliance	geschirmt
Degree of protection	IP67
Mechanical operation	> 100 mating cycles

Material

Material of contact	CuSn (Bronze)
Contact plating	Au (Gold)
Material of contact body	PA
Material of housing	Nickel-plated zinc die casting, PBT

Contacts 5: cable outlet: 4-6 mm, male angled connector, shieldable with wire clamp connection, static ring version, with die-cast threaded ring

Product	Contacts 5: Male angled connector, shieldable with wire clamp connection, static ring version	Area	M12-A Series 713
Pole	5	Article number	99 1537 824 05

Item description

40 abmanteln
dismantle

A abisolieren
strip

6

Isolierhülse in Kupplungshülse
fest verbaut
insulating sleeve tightly built
into coupling sleeve

Schirm kürzen, aufweiten und auf Schirmring umschlagen
shorten and widening of shield and revert to shielding ring

Öffnungswerkzeug für Käfigzugfederversion
opening tool for wire clamp connection

	Schraubklemmversion screw connection	Lötversion solder version	Käfigzugfederversion wire clamp connection
Maß A/mm measure A/mm	5	3,5	7