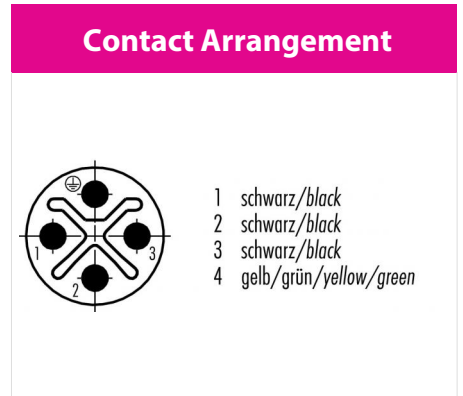
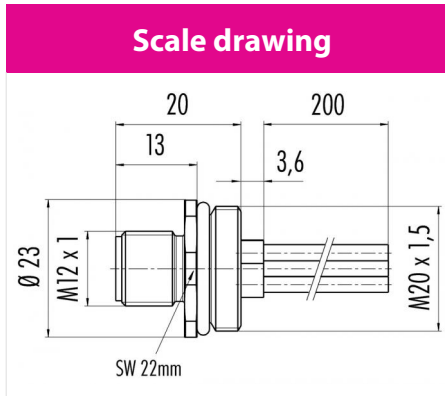


Product	Polzahl: 3+PE, Flanschstecker, Power, S-Kodierung, mit Litzen, Befestigungsgewinde M20 x 1,5	Area	M12-S Series 814
Pole	3+PE	Article number	09 0691 642 04



Technical data

Common values

Connector Design	Male panel mount connector
Connector locking system	screw
Termination	Single wires (AWG 16)
Wire gauge (mm)	max. 1.5 mm ²
Wire gauge (AWG)	16
Cable outlet	-
Upper temperature	85 °C
Lower temperature	-40 °C

Electrical values

Rated voltage	630 V
Rated impulse voltage	6000 V
Pollution degree	3
Overvoltage category	III
Material group	III
Rated current (40°C)	12 A
Volume resistivity	≤ 3 mΩ
Degree of protection	IP67
Mechanical operation	> 100 mating cycles

Material

Material of contact	CuZn (Brass)
Contact plating	Au (Gold)
Material of contact body	PA
Material of housing	PA/ die-cast zinc

Polzahl: 3+PE, Flanschstecker, Power, S-Kodierung, mit Litzen, Befestigungsgewinde M20x1,5