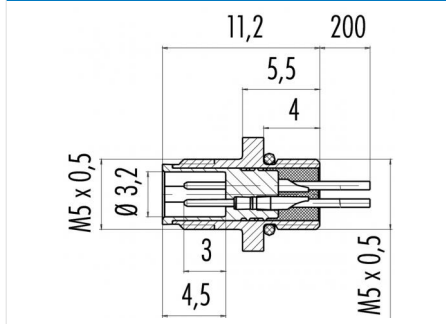


Product	Contacts 4: male panel mount connector with single wires	Area	M5 Series 707
Pole	4	Article number	09 3111 00 04

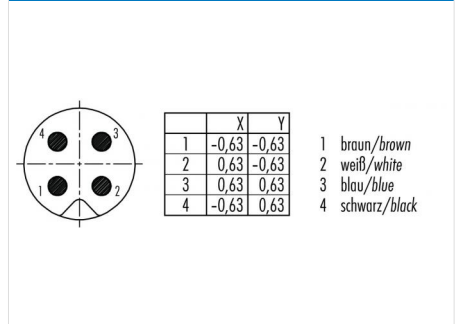
Illustration



Scale drawing



Contact Arrangement



Technical data

Common values

Connector Design	Male panel mount connector
Connector locking system	screw
Termination	With assembled wire
Wire gauge (mm)	0.14 mm ²
Wire gauge (AWG)	26
Cable outlet	-
Upper temperature	80 °C
Lower temperature	-25 °C

Electrical values

Rated voltage	60 V
Rated impulse voltage	800 V
Pollution degree	3
Overvoltage category	II
Material group	I
Rated current (40°C)	1 A
Volume resistivity	≤ 3 mΩ
EMV compliance	not shielded
Degree of protection	IP67
Mechanical operation	> 100 mating cycles

Cable data

material housing	-
Insulation single lead	-
Single lead structure	-
Temperature range cable movable c from	-5
Temperature range cable movable c to	80
Temperature range cable fixed c from	-25
Temperature range cable fixed c to	80
Bending radius cable fixed	-
Bending radius cable movable	-

Material

Material of contact	CuZn (Brass)
Contact plating	Au (Gold)
Material of contact body	PA
Material of housing	CuZn (Brass nickel-plated)

Contacts 4: Cable: 4 x 0.14 mm², male panel mount connector with single wires