

# Product sheet

## Miniature connector



Product	<b>Contacts: 7, Cable plug connector, short version, CRIMP connection, cable outlet 4 - 8 mm</b>	Area	<b>M16 IP67 Series 423</b>
Pole	<b>7</b>	Article number	<b>99 5125 740 07</b>

Illustration	Scale drawing	Contact Arrangement																								
		<table border="1" style="margin-left: auto; margin-right: auto;"> <thead> <tr> <th></th> <th>X</th> <th>Y</th> </tr> </thead> <tbody> <tr> <td>1</td> <td>-1,75</td> <td>-3,03</td> </tr> <tr> <td>2</td> <td>-3,50</td> <td>0,00</td> </tr> <tr> <td>3</td> <td>-1,75</td> <td>3,03</td> </tr> <tr> <td>4</td> <td>1,75</td> <td>3,03</td> </tr> <tr> <td>5</td> <td>3,50</td> <td>0,00</td> </tr> <tr> <td>6</td> <td>1,75</td> <td>-3,03</td> </tr> <tr> <td>7</td> <td>0,00</td> <td>0,00</td> </tr> </tbody> </table>		X	Y	1	-1,75	-3,03	2	-3,50	0,00	3	-1,75	3,03	4	1,75	3,03	5	3,50	0,00	6	1,75	-3,03	7	0,00	0,00
	X	Y																								
1	-1,75	-3,03																								
2	-3,50	0,00																								
3	-1,75	3,03																								
4	1,75	3,03																								
5	3,50	0,00																								
6	1,75	-3,03																								
7	0,00	0,00																								

You can find the item description and assembly instruction on the next page.

## Technical data

### Common values

Connector Design	Cable plug connector
Connector locking system	screw
Termination	Crimp
Wire gauge (mm)	0.14 - 0.75 mm <sup>2</sup>
Wire gauge (AWG)	26 - 20
Cable outlet	4 - 8 mm
Upper temperature	95 °C
Lower temperature	-40 °C

### Electrical values

Rated voltage	125 V
Rated impulse voltage	800 V
Pollution degree	1
Overvoltage category	I
Material group	III
Rated current (40°C)	5 A
Volume resistivity	≤ 3 mΩ
EMV compliance	-
Degree of protection	IP67
Mechanical operation	> 500 mating cycles

### Material

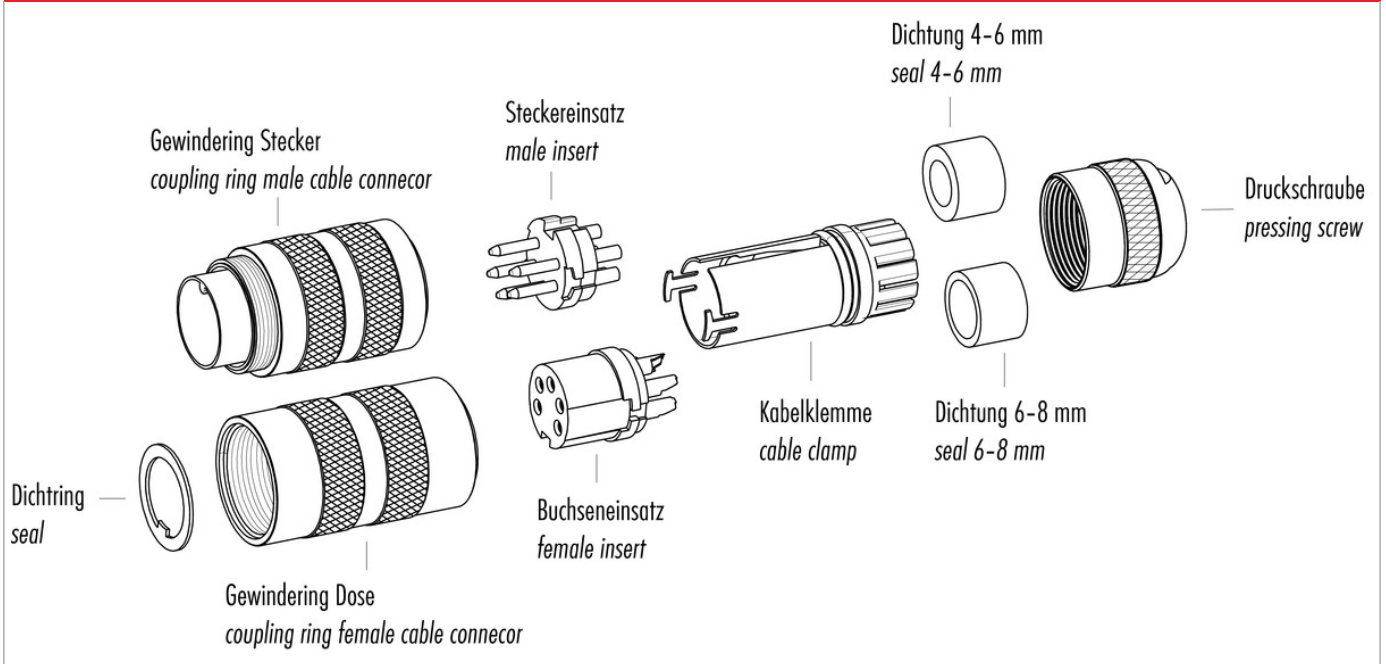
Material of contact	CuZn (Brass)
Contact plating	Au (Gold)
Material of contact body	PBT (UL 94 V-0)
Material of housing	CuZn (Brass nickel-plated)

Contacts: 7, Cable plug connector, short version, CRIMP connection, cable outlet 4 - 8 mm



Product	<b>Contacts: 7, Cable plug connector, short version, CRIMP connection, cable outlet 4 - 8 mm</b>	Area Article number	<b>M16 IP67 Series 423 99 5125 740 07</b>
Pole	<b>7</b>		

**Item description**



**Installation instructions / Mounting cutout**

