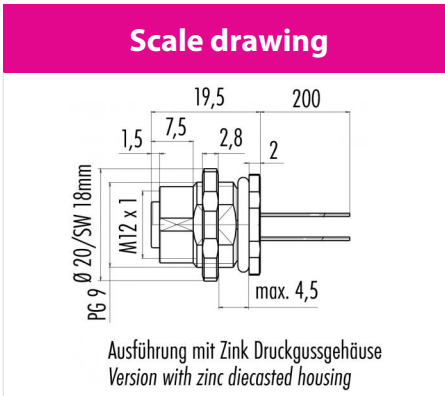
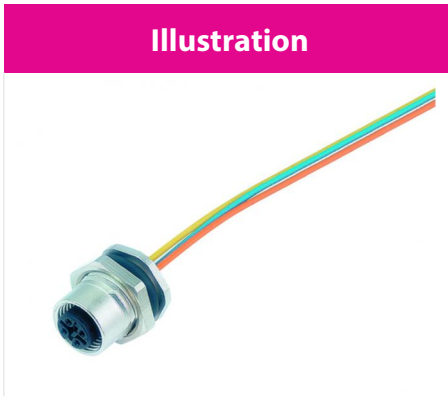


Product	<b>Contacts: 4, Female panel mount connector screwed from the front, with single wires 0.25 mm<sup>2</sup>, PG 9</b>	Area	<b>M12-D, M12-X Series 825/876 D-coding</b>
Pole	<b>4</b>	Article number	<b>09 3732 87 04</b>



You can find the assembly instruction on the next page.

## Technical data

### Common values

Connector Design	Female panel mount connector
Connector locking system	screw
Termination	Single wires
Wire gauge (mm)	0.25 mm <sup>2</sup>
Wire gauge (AWG)	24
Upper temperature	85 °C
Lower temperature	-40 °C

### Cable data

material housing	-
Insulation single lead	-
Single lead structure	-
Conductor resistance	-
Bending radius cable fixed	-
Bending radius cable movable	-

### Electrical values

Rated voltage	250 V
Rated impulse voltage	2500 V
Pollution degree	3
Overvoltage category	II
Material group	II
Volume resistivity	≤ 3 mΩ
EMV compliance	not shielded
Degree of protection	IP67
Mechanical operation	> 100 mating cycles

### Material

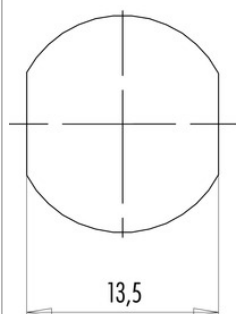
Material of contact	CuSn (Bronze)
Contact plating	Au (Gold)
Material of contact body	PA
Material of housing	Nickel-plated zinc die casting

fixing thread: PG 9, Contacts: 4, Female panel mount connector, screwed from front, with single wires, 0.25 mm<sup>2</sup>

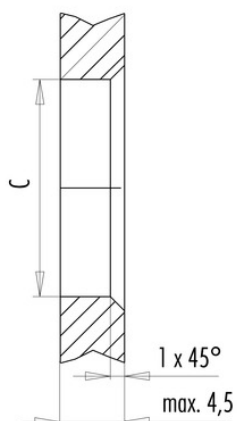
Product	<b>Contacts: 4, Female panel mount connector screwed from the front, with single wires 0.25 mm<sup>2</sup>, PG 9</b>	Area	<b>M12-D, M12-X Series 825/876 D-coding</b>
Pole	<b>4</b>	Article number	<b>09 3732 87 04</b>

Installation instructions / Mounting cutout

Mit Fläche als Verdrehschutz  
With flats as anti-rotation device



Mit Durchgangsbohrung  
With bore hole



	C
PG 9	15,3
M16x1,5	16,1

Anzugsdrehmoment/Tightening moment

Metallgehäuse/Metal housing 6,25 Nm  
Kunststoffgehäuse/Plastic housing 3,75 Nm