

# Product sheet

## Output connector

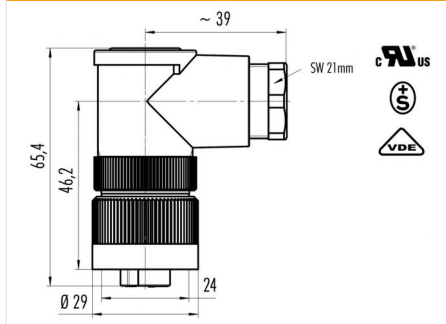


Product	<b>Contacts: 3+PE, female angled connector, PG 13.5 with VDE, ETS, UL approval</b>	Area	<b>RD24 Power Series 692/693</b>
Pole	<b>3+PE</b>	Article number	<b>99 4222 215 04</b>

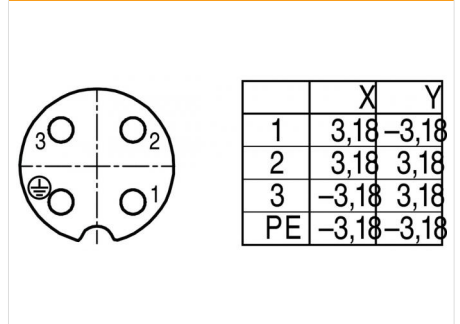
### Illustration



### Scale drawing



### Contact Arrangement



You can find the item description on the next page.

## Technical data

### Common values

Connector Design	Female angled connector
Connector locking system	screw
Wire gauge (mm)	0.5 -2.5 mm <sup>2</sup>
Wire gauge (AWG)	20-14
Cable outlet	10 - 12 mm
Upper temperature	100 °C
Lower temperature	-40 °C

### Electrical values

Rated voltage	600 V
Rated impulse voltage	6000 V
Pollution degree	3
Overvoltage category	III
Material group	III
Rated current (40°C)	16 A (12 A UL)
Volume resistivity	≤ 5 mΩ
EMV compliance	nicht geschirmt
Degree of protection	IP67
Mechanical operation	> 500 mating cycles

### Material

Material of contact	CuSn (Bronze), CuZn (Brass)
Contact plating	Ag (Silver)
Material of contact body	PBT (UL 94 V-0)
Material of housing	PBT (UL 94 V-0)

Contacts: 3+PE, female angled connector, PG 13.5, with VDE, ETS, UL approval, screw



Product  
Pole

Contacts: 3+PE, female angled connector,  
PG 13.5 with VDE, ETS, UL approval  
3+PE

Area  
Article number

RD24 Power Series 692/693  
99 4222 215 04

### Item description

