
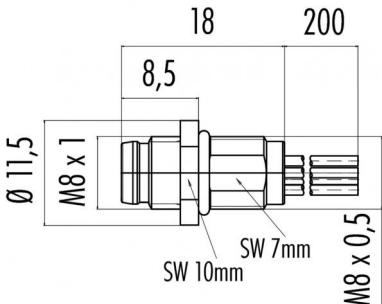
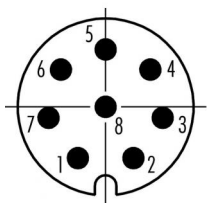


Product	Contacts: 8, Male panel mount connector with single wires, 0.14 mm²	Area	M8 Series 768/718
Pole	8	Article number	09 3487 00 08

Illustration	Scale drawing	Contact Arrangement																
		 <table style="margin-left: auto; margin-right: 0;"> <tr><td>1</td><td>weiß/white</td></tr> <tr><td>2</td><td>braun/brown</td></tr> <tr><td>3</td><td>grün/green</td></tr> <tr><td>4</td><td>gelb/yellow</td></tr> <tr><td>5</td><td>grau/grey</td></tr> <tr><td>6</td><td>rosa/pink</td></tr> <tr><td>7</td><td>blau/blue</td></tr> <tr><td>8</td><td>rot/red</td></tr> </table>	1	weiß/white	2	braun/brown	3	grün/green	4	gelb/yellow	5	grau/grey	6	rosa/pink	7	blau/blue	8	rot/red
1	weiß/white																	
2	braun/brown																	
3	grün/green																	
4	gelb/yellow																	
5	grau/grey																	
6	rosa/pink																	
7	blau/blue																	
8	rot/red																	

You can find the assembly instruction on the next page.

Technical data

Common values

Connector Design	Male panel mount connector
Connector locking system	screw
Termination	Single wires 0.14
Wire gauge (mm)	0.14 mm ²
Wire gauge (AWG)	26
Upper temperature	85 °C
Lower temperature	-40 °C

Electrical values

Rated voltage	30 V
Rated impulse voltage	800 V
Pollution degree	3
Overvoltage category	II
Material group	II
Rated current (40°C)	1.5 A
Volume resistivity	≤ 3 mΩ
EMV compliance	not shielded
Degree of protection	IP67
Mechanical operation	> 100 mating cycles

Material

Material of contact	CuZn (Brass)
Contact plating	Au (Gold)
Material of contact body	PA (UL 94 HB)
Material of housing	CuZn (Brass nickel-plated)

Contacts: 8, Male panel mount connector with single wires, 0.14 mm²

Product

**Contacts: 8, Male panel mount connector
with single wires, 0.14 mm²
8**

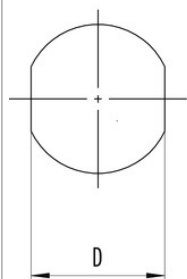
Area
Article number

**M8 Series 768/718
09 3487 00 08**

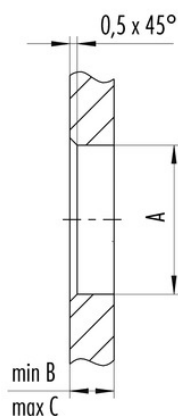
Pole

Installation instructions / Mounting cutout

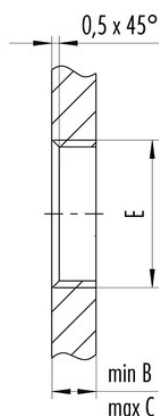
Mit Fläche als Verdrehschutz
With flats as anti-rotation device



Mit Durchgangsbohrung
With bore hole



Mit Gewinde, einschraubbar
With thread to screw in



Gewinde E/thread E	A	B	C	D
M8 x 0,5	8,1	2,5	4,5	7,1
M10 x 0,75	10,1	2,5	5,0	9,1

Anzugsdrehmoment/Tightening moment 1 Nm