
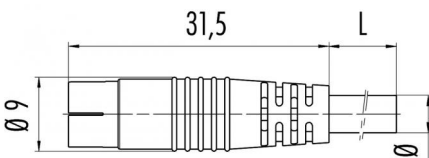
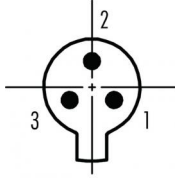


Product	<b>Contacts: 3, Cable plug connector overmoulded on cable</b>	Area	<b>Snap-in IP40 Series 709</b>
Pole	<b>3</b>	Article number	<b>79 9001 15 03</b>

Illustration	Scale drawing	Contact Arrangement						
		 <table style="margin-left: auto; margin-right: 0;"> <tr> <td>1</td> <td>braun/brown</td> </tr> <tr> <td>2</td> <td>blau/blue</td> </tr> <tr> <td>3</td> <td>schwarz/black</td> </tr> </table>	1	braun/brown	2	blau/blue	3	schwarz/black
1	braun/brown							
2	blau/blue							
3	schwarz/black							

## Technical data

### Common values

Connector Design	Cable plug connector
Connector locking system	Snap
Termination	overmoulded on cable
Wire gauge (mm)	0.25 mm <sup>2</sup>
Wire gauge (AWG)	24
Cable outlet	-
Upper temperature	70 °C
Lower temperature	-20 °C

### Cable data

material housing	PVC
Insulation single lead	PVC
Single lead structure	32 x 0.10 mm
Cable sheath Ø	4.5
Conductor resistance	80Ω/Km (20°C)
Bending radius cable fixed	22 mm
Bending radius cable movable	45 mm
Cable diameter	4.5

### Electrical values

Rated voltage	60 V
Rated impulse voltage	800 V
Pollution degree	1
Overvoltage category	II
Material group	III
Rated current (40°C)	3 A
Volume resistivity	≤ 3 mΩ
EMV compliance	not shielded
Degree of protection	IP40
Mechanical operation	> 100 mating cycles

### Material

Material of contact	CuZn (Brass)
Contact plating	Au (Gold)
Material of contact body	PA
Material of housing	PUR

Contacts: 3, Cable plug connector overmoulded, cable length 5 m