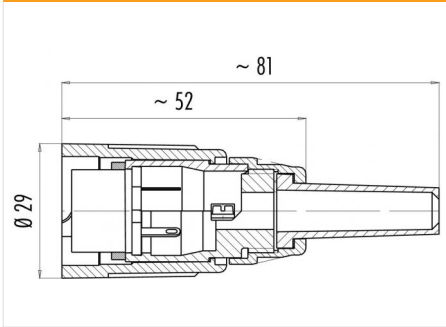


Product Pole	Contacts: 7, female cable connector 7	Area Article number	Bayonet IP40 Power Series 690 09 0064 00 07
--------------	---	---------------------	---

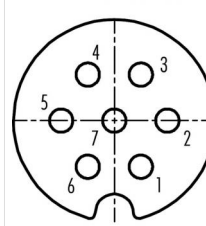
Illustration



Scale drawing



Contact Arrangement



	X	Y
1	2,50	-4,33
2	5,00	0,00
3	2,50	4,33
4	-2,50	4,33
5	-5,00	0,00
6	-2,50	-4,33
7	0,00	0,00

You can find the item description on the next page.

Technical data

Common values

Connector Design	Female cable connector
Connector locking system	Bayonet
Termination	Solder
Wire gauge (mm)	0.75 mm ²
Wire gauge (AWG)	20
Cable outlet	5 - 8 mm
Upper temperature	85 °C
Lower temperature	-40 °C

Electrical values

Rated voltage	250 V
Rated impulse voltage	2500 V
Pollution degree	1
Overvoltage category	II
Material group	III
Rated current (40°C)	5 A
Volume resistivity	≤ 5 mΩ
EMV compliance	not shielded
Degree of protection	IP40
Mechanical operation	> 500 mating cycles

Material

Material of contact	CuSn (Bronze)
Contact plating	Ag (Silver)
Material of contact body	PET (UL 94 V-0)
Material of housing	GD-Al (anodised)

Contacts: 7, female cable connector

Product sheet

Output connector



Product
Pole

Contacts: 7, female cable connector
7

Area
Article number

Bayonet IP40 Power Series 690
09 0064 00 07

Item description

