

Product  
Pole

**Contacts: 4, Male angled connector, solder**  
4

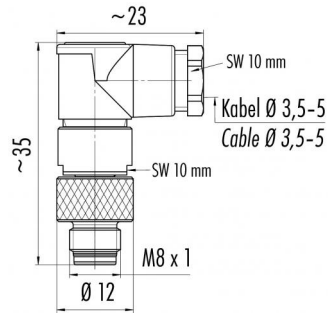
Area  
Article number

**M8 Series 768**  
**99 3387 00 04**

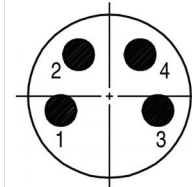
### Illustration



### Scale drawing



### Contact Arrangement



	X	Y
1	-1,70	-0,50
2	-1,08	1,45
3	1,70	-0,50
4	1,08	1,45

You can find the item description and assembly instruction on the next page.

## Technical data

### Common values

Connector Design	Male angled connector
Connector locking system	screw
Termination	Solder
Wire gauge (mm)	0.25 mm <sup>2</sup>
Wire gauge (AWG)	24
Cable outlet	3.5 - 5 mm
Upper temperature	85 °C
Lower temperature	-40 °C

### Electrical values

Rated voltage	30 V
Rated impulse voltage	800 V
Pollution degree	3
Overvoltage category	II
Material group	III
Rated current (40°C)	4 A
Volume resistivity	≤ 3 mΩ
EMV compliance	nicht geschirmt
Degree of protection	IP67
Mechanical operation	> 100 mating cycles

### Material

Material of contact	CuZn (Brass)
Contact plating	Au (Gold)
Material of contact body	PA (UL 94 HB)
Material of housing	PBT/ PA/ die-cast zinc

Contacts: 4, Male angled connector, solder

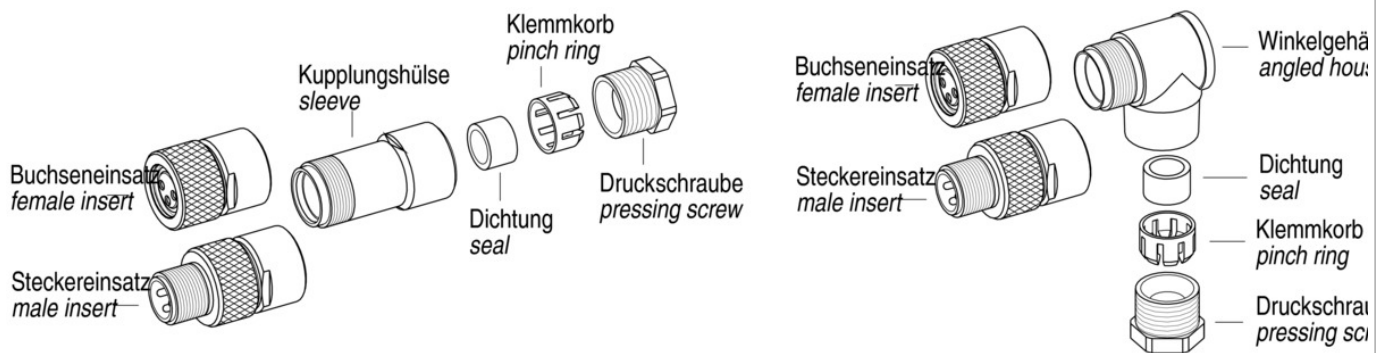
Product Pole

**Contacts: 4, Male angled connector, solder**  
4

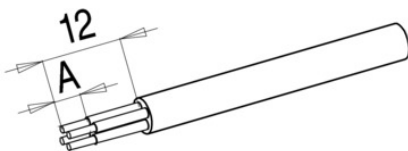
Area Article number

**M8 Series 768**  
**99 3387 00 04**

### Item description



### Installation instructions / Mounting cutout



	Schraubklemmversion screw connection	Lötversion solder version
Maß A/mm measure A/mm	<b>4</b>	<b>3</b>