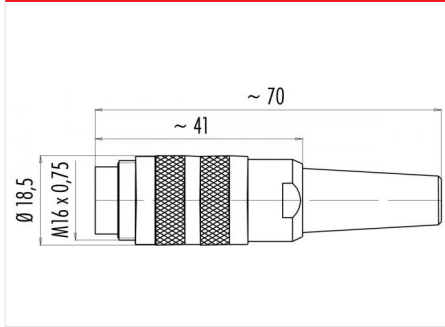


Product	<b>Contacts: 3 DIN, cable plug connector with cable clamp, shieldable, cable outlet 6 - 8 mm</b>	Area	<b>M16 IP40 Series 581</b>
Pole	<b>3 DIN</b>	Article number	<b>99 2005 20 03</b>

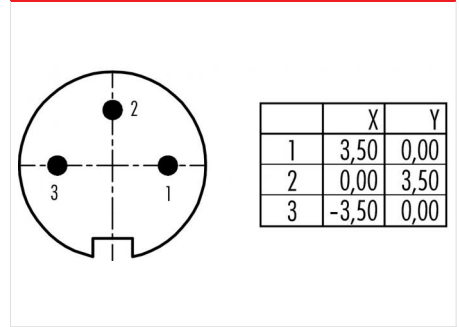
**Illustration**



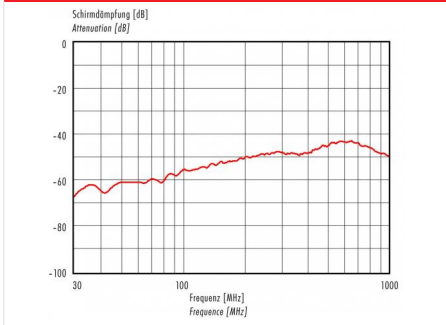
**Scale drawing**



**Contact Arrangement**



**Attenuation characteristic**



You can find the item description on the next page.

**Technical data**

**Common values**

Connector Design	Cable plug connector
Connector locking system	screw
Termination	Solder
Wire gauge (mm)	0.75 mm <sup>2</sup>
Wire gauge (AWG)	20
Cable outlet	6 - 7.8 mm
Upper temperature	85 °C
Lower temperature	-40 °C

**Electrical values**

Rated voltage	250 V
Rated impulse voltage	1500 V
Pollution degree	1
Overvoltage category	I
Material group	III
Rated current (40°C)	7 A
Volume resistivity	≤ 5 mΩ
EMV compliance	shielded
Degree of protection	IP40
Mechanical operation	> 500 mating cycles

**Material**

Material of contact	CuZn (Brass)
Contact plating	Ag (Silver)
Material of contact body	PBT (UL 94 V-0)
Material of housing	CuZn (Brass nickel-plated)

Contacts: 3 DIN, Cable plug connector with cable clamp, shieldable, cable outlet 6 - 8 mm, silver plated contacts

Product	<b>Contacts: 3 DIN, cable plug connector with cable clamp, shieldable, cable outlet 6 - 8 mm</b>	Area	<b>M16 IP40 Series 581</b>
Pole	<b>3 DIN</b>	Article number	<b>99 2005 20 03</b>

Item description

