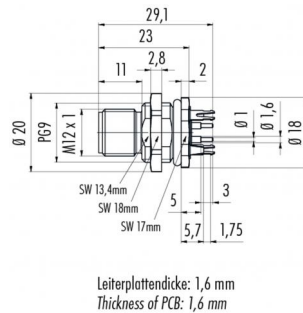


Product **Contacts: 4, Male panel mount connector, screwed from front, dip-soldered, with shielding sheet, PG 9**  
 Area **M12-A Series 713/763**  
 Article number **86 0531 1120 00004**

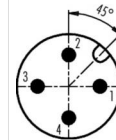
### Illustration



### Scale drawing



### Contact Arrangement



|   | X     | Y     |
|---|-------|-------|
| 1 | 2,50  | 0,00  |
| 2 | 0,00  | 2,50  |
| 3 | -2,50 | 0,00  |
| 4 | 0,00  | -2,50 |

- 1 braun/brown
- 2 weiß/white
- 3 blau/blue
- 4 schwarz/black

Geschirmte Versionen: Schirm auf Gehäuse  
Shielded versions: shield on housing

You can find the assembly instruction on the next page.

## Technical data

### General features

Connector Design male panel mount connector  
 Connector locking system bolted  
 Termination dip-solder  
 Upper temperature 85 °C  
 Lower temperature -40 °C

### Cable data

Approval 1 UL

### Electrical parameters

Rated voltage 250 V  
 Rated impulse voltage 2500 V  
 Pollution degree 3  
 Overvoltage category II  
 Material group II  
 Rated current (40°C) 4 A  
 Volume resistivity ≤ 3 mΩ  
 EMV compliance not shielded  
 Degree of protection IP68  
 Mechanical operation > 100 Mating cycles

### Material

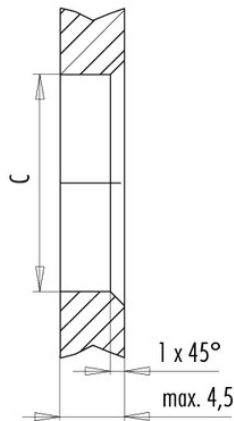
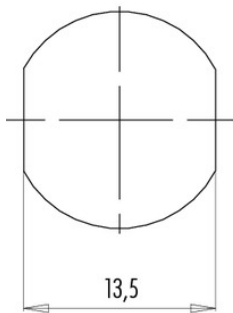
Material of contact CuZn (Messing)  
 Contact plating Au (gold), shielding sheet  
 Material of contact body PA

Product **Contacts: 4, Male panel mount connector, screwed from front, dip-soldered, with shielding sheet, PG 9**  
 Area **M12-A Series 713/763**  
 Article number **86 0531 1120 00004**

**Installation instructions / Mounting cutout**

Mit Fläche als Verdrehschutz  
With flats as anti-rotation device

Mit Durchgangsbohrung  
With bore hole



|         | C    |
|---------|------|
| PG 9    | 15,3 |
| M16x1,5 | 16,1 |

Anzugsdrehmoment/Tightening moment

Metallgehäuse/Metal housing 6,25 Nm  
 Kunststoffgehäuse/Plastic housing 3,75 Nm

**Installation instructions / Mounting cutout**

