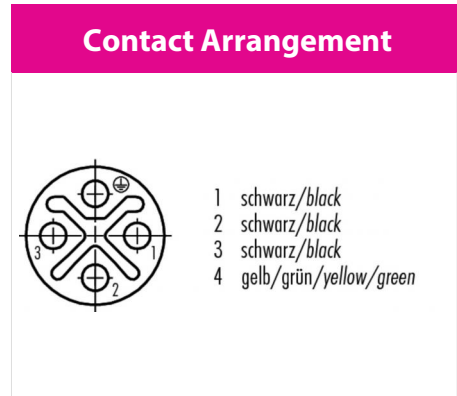
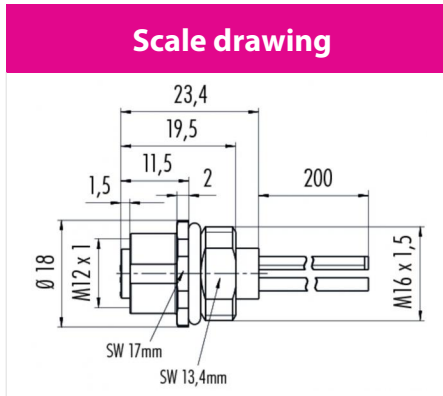


Product	<b>Polzahl: 2+PE, Flanschdose, Power, S-Kodierung, mit Litzen, Befestigungsgewinde M16 x 1,5</b>
Area	<b>M12-S Series 814</b>
Article number	<b>09 0688 700 03</b>



You can find the assembly instruction on the next page.

## Technical data

### General features

Connector Design	female panel mount connector
Connector locking system	bolted
Termination	removable screw
Wire gauge (mm)	max. 2,5 mm <sup>2</sup>
Wire gauge (AWG)	16
Upper temperature	85 °C
Lower temperature	-40 °C

### Cable data

Approval 1	UL
------------	----

### Electrical parameters

Rated voltage	630 V
Rated impulse voltage	6000 V
Pollution degree	3
Overvoltage category	III
Material group	III
Rated current (40°C)	16 A
Volume resistivity	≤ 3 mΩ
Degree of protection	IP67
Mechanical operation	> 50 Mating cycles

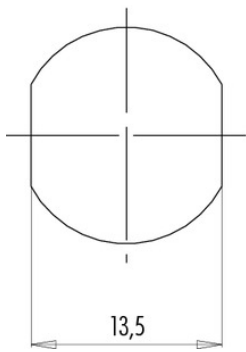
### Material

Material of contact	CuSn (Bronze), CuZn (Messing)
Contact plating	Au (gold)
Material of contact body	PA

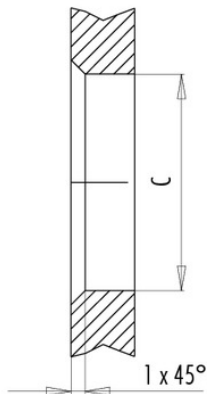
Product **Polzahl: 2+PE, Flanschdose, Power, S-Kodierung, mit Litzen, Befestigungsgewinde M16 x 1,5**  
 Area **M12-S Series 814**  
 Article number **09 0688 700 03**

Installation instructions / Mounting cutout

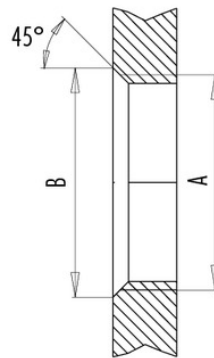
Mit Fläche als Verdreherschutz  
 With flats as anti-rotation device



Mit Durchgangsbohrung  
 With bore hole



Mit Gewinde, einschraubbar  
 With thread to screw in



alternativ/alternativ

	A	B	C
PG 9	PG 9	16,2	15,3
M16x1,5	M16x1,5	17,0	16,1

Anzugsdrehmoment/Tightening moment

Metallgehäuse/Metal housing 6,25 Nm  
 Kunststoffgehäuse/Plastic housing 3,75 Nm