

Product sheet

Miniature connector



Product
Pole

Contacts: 14, Female angled connector
14

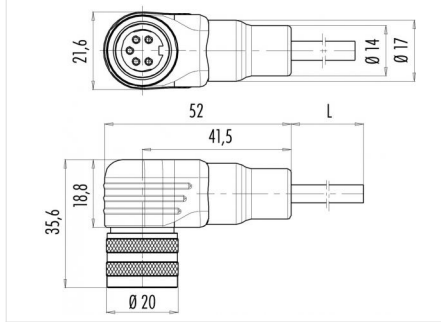
Area
Article number

M16 IP67 Series 425
79 6252 200 14

Illustration



Scale drawing



Contact Arrangement

A	braun	0,5 mm ²
C	-	
E	schwarz	
G	rosa	
J	grün	
L	blau	0,5 mm ²
M	gebrückt mit A	
N	-	
O	violett	
P	weiß	
R	rot	
S	grau	
T	gelb	
U	gebrückt mit L	

Technical data

Common values

Connector Design	Female angled connector
Connector locking system	screw
Termination	solder, injection-moulded cable
Wire gauge (mm)	0.25/0.5 mm ²
Wire gauge (AWG)	24/20
Cable outlet	-
Upper temperature	70 °C
Lower temperature	-25 °C

Cable data

material housing	PUR
Insulation single lead	PVC
Single lead structure	32x0.1 63x0.1 mm
Cable sheath Ø	8
Bending radius cable fixed	80 mm
Bending radius cable movable	120 mm
Cable diameter	8

Electrical values

Rated voltage	60 V
Rated impulse voltage	500 V
Pollution degree	1
Overvoltage category	I
Material group	III
Rated current (40°C)	3 A
Volume resistivity	≤ 3 mΩ
EMV compliance	not shielded
Degree of protection	IP67
Mechanical operation	> 500 mating cycles

Material

Material of contact	CuSn (Bronze)
Contact plating	Au (Gold)
Material of contact body	PBT (UL 94 V-0)
Material of housing	PUR

Contacts: 14, Cable: 8 x 0.25 mm², 2 x 0.5 mm², female angled connector