

Product	<b>Contacts: 8, Female panel mount connector, lightgrey, solder termination</b>
Area	<b>Snap-in IP67, miniature Series</b>
Article number	<b>99 9128 400 08</b>

Illustration	Scale drawing	Contact Arrangement																
		<table border="0" style="margin-left: 20px;"> <tr><td>1</td><td>weiß/white</td></tr> <tr><td>2</td><td>braun/brown</td></tr> <tr><td>3</td><td>grün/green</td></tr> <tr><td>4</td><td>gelb/yellow</td></tr> <tr><td>5</td><td>grau/grey</td></tr> <tr><td>6</td><td>rosa/pink</td></tr> <tr><td>7</td><td>blau/blue</td></tr> <tr><td>8</td><td>rot/red</td></tr> </table>	1	weiß/white	2	braun/brown	3	grün/green	4	gelb/yellow	5	grau/grey	6	rosa/pink	7	blau/blue	8	rot/red
1	weiß/white																	
2	braun/brown																	
3	grün/green																	
4	gelb/yellow																	
5	grau/grey																	
6	rosa/pink																	
7	blau/blue																	
8	rot/red																	

**You can find the item description and assembly instruction on the next page.**

## Technical data

### General features

Connector Design	female panel mount connector
Connector locking system	snap
Termination	moulded on cable
Wire gauge (mm)	0,25 mm <sup>2</sup>
Wire gauge (AWG)	24
Upper temperature	70 °C
Lower temperature	-40 °C

### Electrical parameters

Rated voltage	125 V
Rated impulse voltage	1500 V
Pollution degree	2
Overvoltage category	II
Material group	II
Rated current (40°C)	2 A
Volume resistivity	≤ 3 mΩ
EMV compliance	not shielded
Degree of protection	IP67

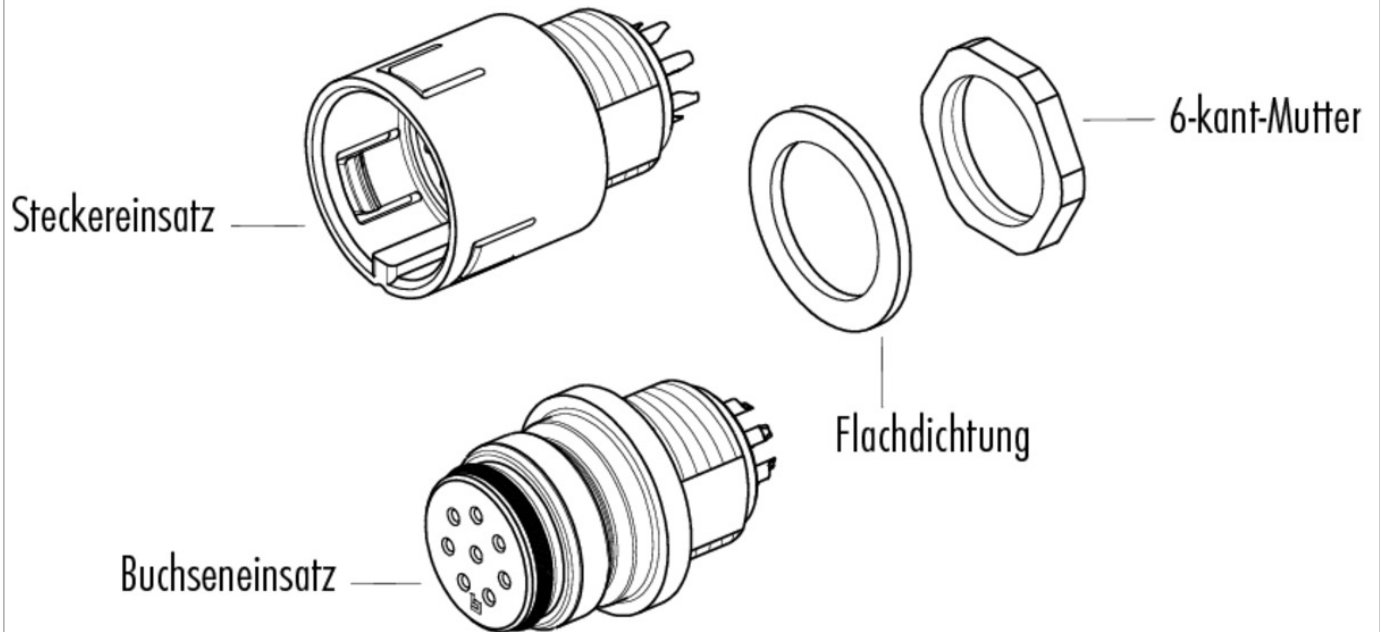
### Material

Material of contact	CuSn (Bronze)
Contact plating	Au (gold)
Material of contact body	PA (UL 94 V-0)

Product **Contacts: 8, Female panel mount connector, lightgrey, solder termination**

Area **Snap-in IP67, miniature Series**  
Article number **99 9128 400 08**

Item description



Installation instructions / Mounting cutout

