
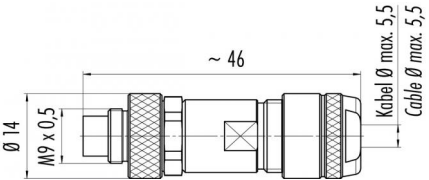
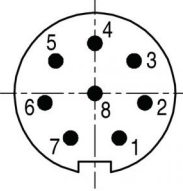


# Product sheet

## Subminiature connector



Product	<b>Contacts: 8, Cable plug connector, 360° EMC safe, shieldable, iris type spring, cable outlet 4-5.5 mm</b>	Area Article number	<b>M9 IP67 Series 712 99 0425 115 08</b>
Pole	<b>8</b>		

Illustration	Scale drawing	Contact Arrangement																											
		 <table border="1" style="margin-left: auto; margin-right: auto;"> <thead> <tr> <th></th> <th>X</th> <th>Y</th> </tr> </thead> <tbody> <tr><td>1</td><td>0,90</td><td>-1,65</td></tr> <tr><td>2</td><td>1,85</td><td>-0,35</td></tr> <tr><td>3</td><td>1,45</td><td>1,20</td></tr> <tr><td>4</td><td>0,00</td><td>1,85</td></tr> <tr><td>5</td><td>-1,45</td><td>1,20</td></tr> <tr><td>6</td><td>-1,85</td><td>-0,35</td></tr> <tr><td>7</td><td>-0,90</td><td>-1,65</td></tr> <tr><td>8</td><td>0,00</td><td>0,00</td></tr> </tbody> </table>		X	Y	1	0,90	-1,65	2	1,85	-0,35	3	1,45	1,20	4	0,00	1,85	5	-1,45	1,20	6	-1,85	-0,35	7	-0,90	-1,65	8	0,00	0,00
	X	Y																											
1	0,90	-1,65																											
2	1,85	-0,35																											
3	1,45	1,20																											
4	0,00	1,85																											
5	-1,45	1,20																											
6	-1,85	-0,35																											
7	-0,90	-1,65																											
8	0,00	0,00																											

You can find the item description and assembly instruction on the next page.

## Technical data

### Common values

Connector Design	Cable plug connector
Connector locking system	screw
Termination	Solder
Wire gauge (mm)	0.14 mm <sup>2</sup>
Wire gauge (AWG)	26
Cable outlet	3.5 - 5 mm
Upper temperature	85 °C
Lower temperature	-40 °C

### Cable data

material housing	-
Insulation single lead	-
Single lead structure	-
Conductor resistance	-

### Electrical values

Rated voltage	125 V
Rated impulse voltage	1500 V
Pollution degree	1
Overvoltage category	II
Material group	III
Rated current (40°C)	1 A
Volume resistivity	≤ 3 mΩ
EMV compliance	schirmbar
Degree of protection	IP67
Mechanical operation	> 500 mating cycles

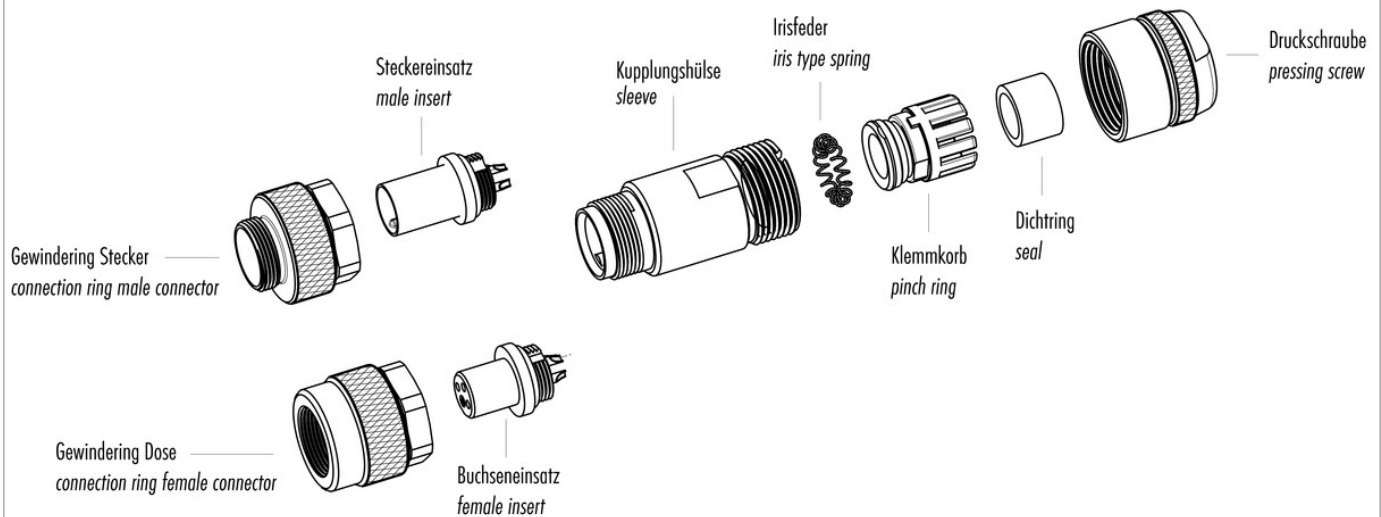
### Material

Material of contact	CuZn (Brass)
Contact plating	Au (Gold)
Material of contact body	PBT (UL 94 V-0)
Material of housing	CuZn (Brass nickel-plated)

Contacts: 8, Cable plug connector, 360° EMC safe, shieldable, iris type spring, cable outlet 4-5.5 mm

Product	<b>Contacts: 8, Cable plug connector, 360° EMC safe, shieldable, iris type spring, cable outlet 4-5.5 mm</b>	Area	<b>M9 IP67 Series 712</b>
Pole	<b>8</b>	Article number	<b>99 0425 115 08</b>

### Item description



### Installation instructions / Mounting cutout

**Shielddurchmesser > 3,5 mm**

1. Gehäuse auf Kabel aufziehen.
2. Abisolieren, Schirm kürzen.
3. Litzen anlöten.
4. Gehäuse mit Stecker- bzw. Buchseneinsatz verschrauben und Druckschraube festdrehen.

**Shield-diameter > 3,5 mm**

1. Bead housing to cable.
2. Strip single cores, shorten shielding braid.
3. Solder wires.
4. Screw housing to male or female contact carrier and fix pressing screw.

**Shielddurchmesser ≤ 3,5 mm**

1. Gehäuse auf Kabel aufziehen.
2. Abisolieren, Schirm kürzen, Schirm über Kabelmantel legen, mit Kupfer-Schirmfolie ca. 1 1/2 mal umwickeln und die Folie kürzen.
3. Litzen anlöten.
4. Gehäuse mit Stecker- bzw. Buchseneinsatz verschrauben und Druckschraube festdrehen.

**Shield-diameter ≤ 3,5 mm**

1. Bead housing to cable.
2. Strip single cores, shorten shielding braid, put braid over cable coating, wrap it approx. 1 1/2 times with shielded copper tape and shorten tape.
3. Solder wires.
4. Screw housing to male or female contact carrier and fix pressing screw.

