

Product	Contacts: 12, Female angled connector, shieldable, solder connection, with offset soldering surfaces, static ring version, with UL approval	Area Article number	M12-A Series 713 99 1492 822 12
Pole	12		

Illustration	Scale drawing	Contact Arrangement																																							
		<table border="1" style="margin-left: auto; margin-right: auto;"> <thead> <tr> <th></th> <th>X</th> <th>Y</th> </tr> </thead> <tbody> <tr><td>1</td><td>-2,80</td><td>0,78</td></tr> <tr><td>2</td><td>-0,78</td><td>2,80</td></tr> <tr><td>3</td><td>1,09</td><td>2,69</td></tr> <tr><td>4</td><td>2,51</td><td>1,46</td></tr> <tr><td>5</td><td>2,88</td><td>-0,37</td></tr> <tr><td>6</td><td>2,05</td><td>-2,05</td></tr> <tr><td>7</td><td>0,37</td><td>-2,88</td></tr> <tr><td>8</td><td>-1,46</td><td>-2,51</td></tr> <tr><td>9</td><td>-2,69</td><td>-1,09</td></tr> <tr><td>10</td><td>-0,78</td><td>0,78</td></tr> <tr><td>11</td><td>1,06</td><td>0,29</td></tr> <tr><td>12</td><td>-0,29</td><td>-1,06</td></tr> </tbody> </table>		X	Y	1	-2,80	0,78	2	-0,78	2,80	3	1,09	2,69	4	2,51	1,46	5	2,88	-0,37	6	2,05	-2,05	7	0,37	-2,88	8	-1,46	-2,51	9	-2,69	-1,09	10	-0,78	0,78	11	1,06	0,29	12	-0,29	-1,06
	X	Y																																							
1	-2,80	0,78																																							
2	-0,78	2,80																																							
3	1,09	2,69																																							
4	2,51	1,46																																							
5	2,88	-0,37																																							
6	2,05	-2,05																																							
7	0,37	-2,88																																							
8	-1,46	-2,51																																							
9	-2,69	-1,09																																							
10	-0,78	0,78																																							
11	1,06	0,29																																							
12	-0,29	-1,06																																							

You can find the item description on the next page.

Technical data

Common values

Connector Design	Female angled connector
Connector locking system	screw
Termination	Solder
Wire gauge (mm)	0.25 mm ²
Wire gauge (AWG)	24
Cable outlet	6 - 8 mm
Upper temperature	85 °C
Lower temperature	-40 °C

Electrical values

Rated voltage	30 V
Rated impulse voltage	500 V
Pollution degree	3
Overvoltage category	II
Material group	III
Rated current (40°C)	2 A
Volume resistivity	≤ 3 mΩ
EMV compliance	geschirmt
Degree of protection	IP67
Mechanical operation	> 100 mating cycles

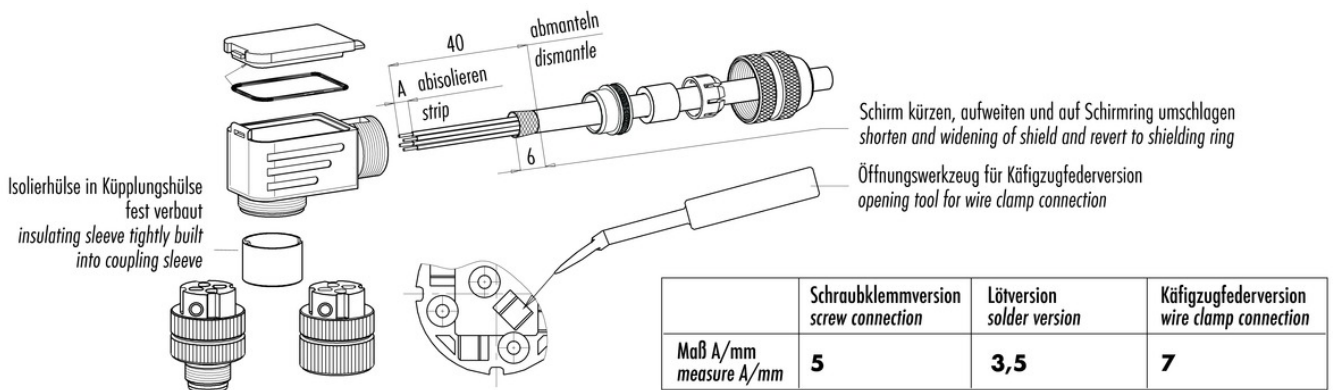
Material

Material of contact	CuSn (Bronze)
Contact plating	Au (Gold)
Material of contact body	PA
Material of housing	Nickel-plated zinc die casting

Contacts: 12, Cable outlet: 6-8 mm, female angled connector, shieldable, solder connection, with offset soldering surfaces, static ring version with die-cast threaded ring, with UL approval

Product	Contacts: 12, Female angled connector, shieldable, solder connection, with offset soldering surfaces, static ring version, with UL approval	Area	M12-A Series 713
Pole	12	Article number	99 1492 822 12

Item description



Isolierhülse in Kuppelungshülse fest verbaut
insulating sleeve tightly built into coupling sleeve

40
A abisolieren strip
abmanteln dismantle
6

Schirm kürzen, aufweiten und auf Schirmring umschlagen
shorten and widening of shield and revert to shielding ring

Öffnungswerkzeug für Käfigzugfederverversion
opening tool for wire clamp connection

	Schraubklemmversion screw connection	Lötversion solder version	Käfigzugfederverversion wire clamp connection
Maß A/mm measure A/mm	5	3,5	7