

**Product sheet**  
**Miniature connector**

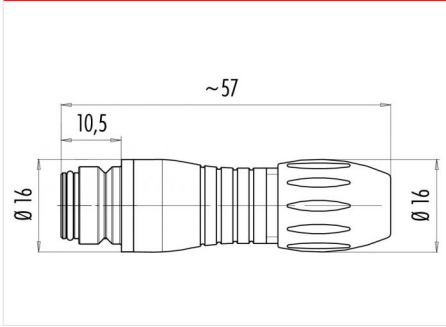


Product	<b>Contacts: 8, Female cable connector, cable outlet 2.5 - 4 mm, black</b>	Area	<b>Snap-in IP67 Series 720</b>
Pole	<b>8</b>	Article number	<b>99 9126 03 08</b>

**Illustration**



**Scale drawing**



**Contact Arrangement**

	X	Y
1	1,35	-2,79
2	-1,35	-2,79
3	-3,02	-0,69
4	-2,43	1,93
5	0,00	3,10
6	2,43	1,93
7	3,02	-0,69
8	0,00	0,00

You can find the item description on the next page.

**Technical data**

**Common values**

Connector Design	Female cable connector
Connector locking system	Snap
Termination	Solder
Wire gauge (mm)	0.25 mm <sup>2</sup>
Wire gauge (AWG)	24
Cable outlet	2.5 - 4 mm
Upper temperature	85 °C
Lower temperature	-40 °C

**Electrical values**

Rated voltage	125 V
Rated impulse voltage	1500 V
Pollution degree	2
Overvoltage category	II
Material group	II
Rated current (40°C)	2 A
Volume resistivity	≤ 3 mΩ
EMV compliance	not shielded
Degree of protection	IP67
Mechanical operation	> 500 mating cycles

**Material**

Material of contact	CuSn (Bronze)
Contact plating	Au (Gold)
Material of contact body	PA (UL 94 V-0)
Material of housing	PA (UL 94 V-0)

Contacts: 8, female cable connector, cable outlet 2.5 - 4 mm

Product	<b>Contacts: 8, Female cable connector, cable outlet 2.5 - 4 mm, black</b>	Area	<b>Snap-in IP67 Series 720</b>
Pole	<b>8</b>	Article number	<b>99 9126 03 08</b>

Item description

