

Product
Pole

Contacts: 12, Cable plug connector
12

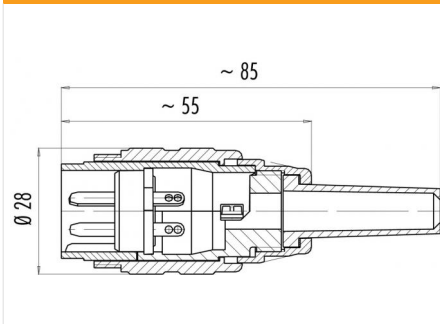
Area
Article number

M25 Power Series 691
09 0445 00 12

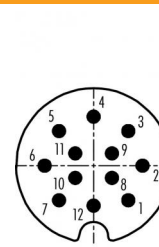
Illustration



Scale drawing



Contact Arrangement



| | X | Y |
|----|-------|-------|
| 1 | 4,24 | -4,24 |
| 2 | 6,00 | 0,00 |
| 3 | 4,24 | 4,24 |
| 4 | 0,00 | 6,00 |
| 5 | -4,24 | 4,24 |
| 6 | -6,00 | 0,00 |
| 7 | -4,24 | -4,24 |
| 8 | 2,25 | -1,50 |
| 9 | 2,25 | 1,50 |
| 10 | -2,25 | -1,50 |
| 11 | -2,25 | 1,50 |
| 12 | 0,00 | -4,90 |

You can find the item description on the next page.

Technical data

Common values

| | |
|--------------------------|----------------------|
| Connector Design | Cable plug connector |
| Connector locking system | screw |
| Termination | Solder |
| Wire gauge (mm) | 0.75 mm ² |
| Wire gauge (AWG) | 20 |
| Cable outlet | 5 - 8 mm |
| Upper temperature | 85 °C |
| Lower temperature | -40 °C |

Electrical values

| | |
|-----------------------|---------------------|
| Rated voltage | 125 V |
| Rated impulse voltage | 1500 V |
| Pollution degree | 1 |
| Overvoltage category | II |
| Material group | III |
| Rated current (40°C) | 5 A |
| Volume resistivity | ≤ 8 mΩ |
| EMV compliance | not shielded |
| Degree of protection | IP40 |
| Mechanical operation | > 500 mating cycles |

Material

| | |
|--------------------------|------------------|
| Material of contact | CuZn (Brass) |
| Contact plating | CuSnZn (Optaloy) |
| Material of contact body | PET (UL 94 V-0) |
| Material of housing | GD-Al (anodised) |

Contacts: 12, Cable plug connector

Product
Pole

Contacts: 12, Cable plug connector
12

Area
Article number

M25 Power Series 691
09 0445 00 12

Item description

