
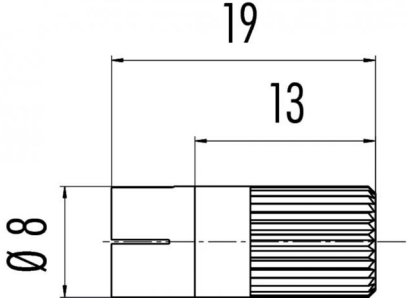
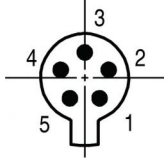


Product sheet

Subminiature connector



Product	Contacts: 5, Cable plug connector without strain relief	Area	Snap-in IP40 Series 719
Pole	5	Article number	09 9789 00 05

Illustration	Scale drawing	Contact Arrangement																		
		 <table border="1" style="margin-left: 20px;"> <thead> <tr> <th></th> <th>X</th> <th>Y</th> </tr> </thead> <tbody> <tr> <td>1</td> <td>0,88</td> <td>-1,21</td> </tr> <tr> <td>2</td> <td>1,42</td> <td>0,46</td> </tr> <tr> <td>3</td> <td>0,00</td> <td>1,49</td> </tr> <tr> <td>4</td> <td>-1,42</td> <td>0,46</td> </tr> <tr> <td>5</td> <td>-0,88</td> <td>-1,21</td> </tr> </tbody> </table>		X	Y	1	0,88	-1,21	2	1,42	0,46	3	0,00	1,49	4	-1,42	0,46	5	-0,88	-1,21
	X	Y																		
1	0,88	-1,21																		
2	1,42	0,46																		
3	0,00	1,49																		
4	-1,42	0,46																		
5	-0,88	-1,21																		

You can find the item description on the next page.

Technical data

Common values

Connector Design	Cable plug connector
Connector locking system	Snap
Termination	Solder
Wire gauge (mm)	0.25 mm ²
Wire gauge (AWG)	24
Cable outlet	max. 3.6 mm
Upper temperature	70 °C
Lower temperature	-25 °C

Cable data

material housing	-
Insulation single lead	-
Single lead structure	-
Conductor resistance	-

Electrical values

Rated voltage	60 V
Rated impulse voltage	800 V
Pollution degree	1
Overvoltage category	II
Material group	III
Rated current (40°C)	3 A
Volume resistivity	≤ 3 mΩ
EMV compliance	not shieldable
Degree of protection	IP40
Mechanical operation	> 100 mating cycles

Material

Material of contact	CuZn (Brass)
Contact plating	Au (Gold)
Material of contact body	PA
Material of housing	PA

Contacts: 5, Cable plug connector without strain relief, max. cable outlet 3.6 mm

Product

Contacts: 5, Cable plug connector without strain relief
5

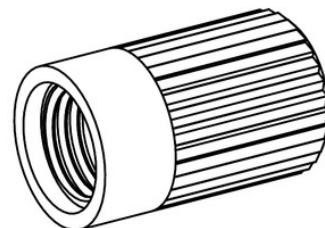
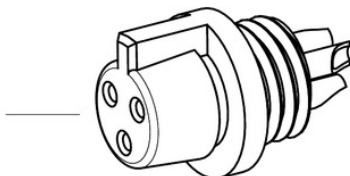
Area
Article number

Snap-in IP40 Series 719
09 9789 00 05

Pole

Item description

Buchseneinsatz
female insert



Kupplungshülse
sleeve

Steckereinsatz
male insert

