

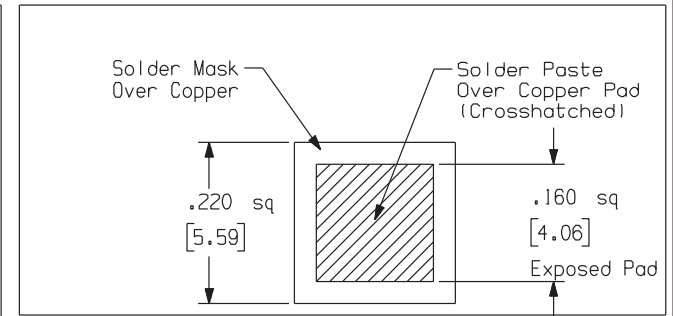
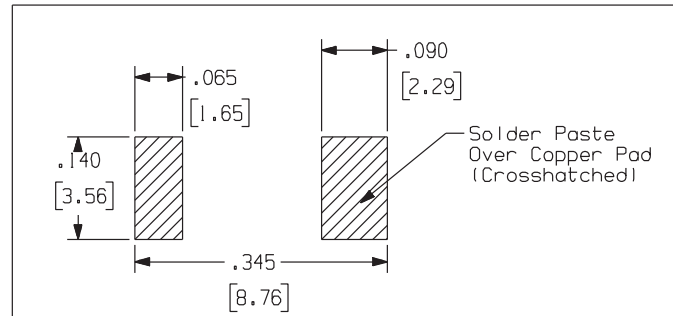
.010 MAX
[0.25]

Recommended Solder Pad Geometry
For Horizontal Mount

Recommended Solder Pad Geometry
For Vertical Mount

MATERIAL	FINISH
.010 7025 COPPER ALLOY	100% TIN OVER COPPER

RoHS COMPLIANT



Zierick Product Related Recommendations are general guidelines only. Since each customer's design, process and application is different it is necessary that customers thoroughly test our products in specific applications.



Radio Circle Drive
Mount Kisco, New York 10549

SMT TOP ENTRY
BOX RECEPTACLE

THIS DOCUMENT AND THE CONFIDENTIAL INFORMATION CONTAINED HERE ARE THE PROPERTY OF ZIERICK MANUFACTURING CORPORATION AND MAY NOT BE USED IN WHOLE OR IN PART IN ANY WAY, OR COMMUNICATED TO ANY PARTY OTHER THAN THE RECIPIENT WITHOUT THE EXPRESS PRIOR WRITTEN CONSENT OF ZIERICK MANUFACTURING CORPORATION.