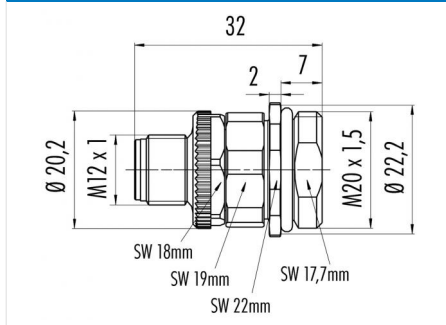


| | | | |
|---------|---|----------------|-----------------------------------|
| Product | Contacts: 5, Male panel mount connector, POWER, screw terminal connection, fixing thread, M20 x 1.5, UL approval | Area | M12-A Series 713/763 POWER |
| Pole | 5 | Article number | 99 0433 500 05 |

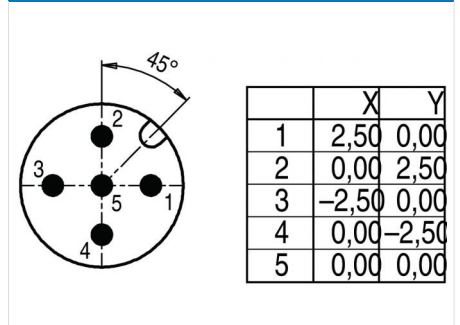
Illustration



Scale drawing



Contact Arrangement



You can find the assembly instruction on the next page.

Technical data

Common values

| | |
|--------------------------|---|
| Connector Design | Male panel mount connector |
| Connector locking system | screw |
| Termination | Screw terminal |
| Wire gauge (mm) | screw terminal max. 1.5 mm ² |
| Wire gauge (AWG) | 16 |
| Upper temperature | 85 °C |
| Lower temperature | -40 °C |

Electrical values

| | |
|-----------------------|------------------------------|
| Rated voltage | 125 V |
| Rated impulse voltage | 1500 V |
| Pollution degree | 3 |
| Overvoltage category | II |
| Material group | II |
| Rated current (40°C) | Contact 1-4 8A, contact 5 2A |
| Volume resistivity | ≤ 3 mΩ |
| EMV compliance | not shielded |
| Degree of protection | IP67 |
| Mechanical operation | > 100 mating cycles |

Material

| | |
|--------------------------|--------------------------------|
| Material of contact | CuZn (Brass) |
| Contact plating | Au (Gold) |
| Material of contact body | PA |
| Material of housing | Nickel-plated zinc die casting |

Contacts: 5, Male panel mount connector, POWER, screw terminal connection, fixing thread, M20 x 1.5, UL approval

Product

Contacts: 5, Male panel mount connector, POWER, screw terminal connection, fixing thread, M20 x 1.5, UL approval

Area
Article number

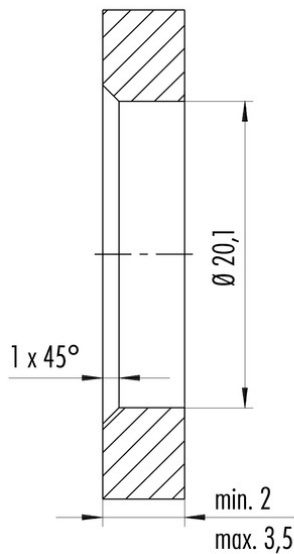
M12-A Series 713/763 POWER
99 0433 500 05

Pole

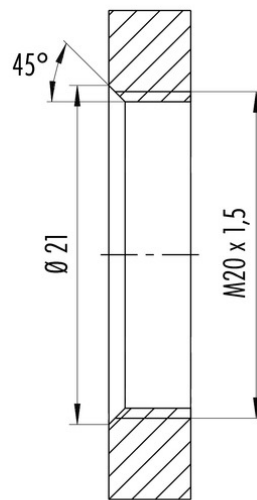
5

Installation instructions / Mounting cutout

Mit Durchgangsbohrung
With bore hole

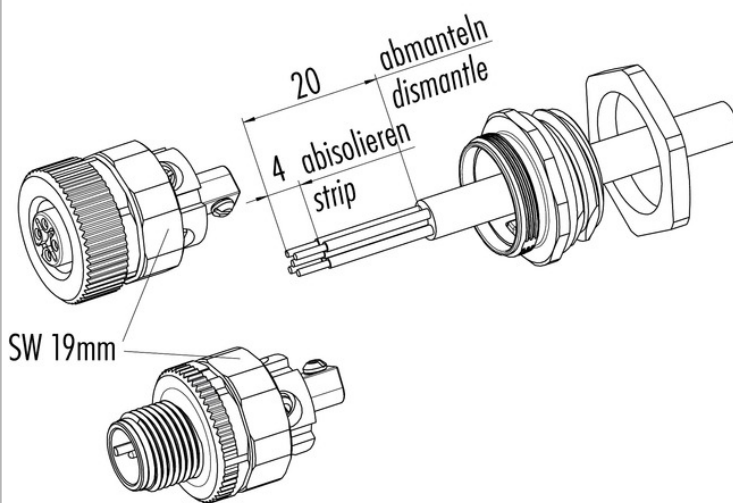


Mit Gewinde, einschraubbar
With thread to screw in



Anzugsdrehmoment/Tightening moment
M20 x 1,5 5 Nm

Installation instructions / Mounting cutout



Litzenquerschnitt

Wire cross section

min. 0,14 mm² 4-, 5-, 8-polig/contacts
max. 1,5 mm² 4-, 5-polig/contacts
max. 0,5 mm² 8-polig/contacts

Kontakteinsatz

Contact insert

4 x 90° verdrehbar/adjustable

Anzugsdrehmoment

Tightening torque

SW 19 Mutter/nut = 5 Nm M18 x 0,75
M20 x 1,5 = 5 Nm