

Product sheet

Miniature connector



Product	Contacts: 5, Cable plug connector, short version, cable outlet 4 - 8 mm, with UL approval	Area	M16 IP67 Series 423
Pole	5	Article number	99 5113 40 05

Illustration	Scale drawing	Contact Arrangement																		
		<table border="1" style="margin-left: auto; margin-right: auto;"> <thead> <tr> <th></th> <th>X</th> <th>Y</th> </tr> </thead> <tbody> <tr> <td>1</td> <td>3,03</td> <td>-1,75</td> </tr> <tr> <td>2</td> <td>3,03</td> <td>1,75</td> </tr> <tr> <td>3</td> <td>0,00</td> <td>3,50</td> </tr> <tr> <td>4</td> <td>-3,03</td> <td>1,75</td> </tr> <tr> <td>5</td> <td>-3,03</td> <td>-1,75</td> </tr> </tbody> </table>		X	Y	1	3,03	-1,75	2	3,03	1,75	3	0,00	3,50	4	-3,03	1,75	5	-3,03	-1,75
	X	Y																		
1	3,03	-1,75																		
2	3,03	1,75																		
3	0,00	3,50																		
4	-3,03	1,75																		
5	-3,03	-1,75																		

You can find the item description and assembly instruction on the next page.

Technical data

Common values

Connector Design	Cable plug connector
Connector locking system	screw
Termination	Solder
Wire gauge (mm)	0.75 mm ²
Wire gauge (AWG)	20
Cable outlet	4 - 8 mm
Upper temperature	95 °C
Lower temperature	-40 °C

Electrical values

Rated voltage	250 V
Rated impulse voltage	1500 V
Pollution degree	1
Overvoltage category	I
Material group	III
Rated current (40°C)	6 A
Volume resistivity	≤ 3 mΩ
EMV compliance	not shielded
Degree of protection	IP67
Mechanical operation	> 500 mating cycles

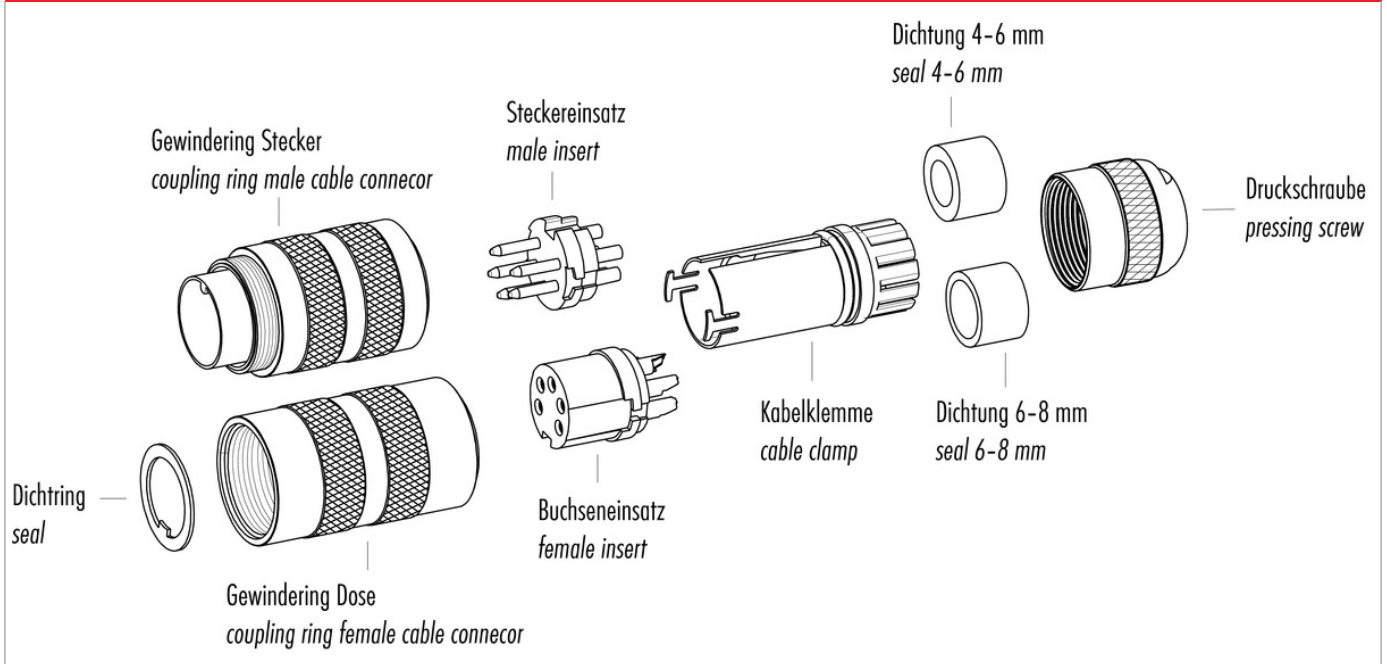
Material

Material of contact	CuZn (Brass)
Contact plating	Au (Gold)
Material of contact body	PBT (UL 94 V-0)
Material of housing	CuZn (Brass nickel-plated)

Contacts: 5, Cable plug connector, short version, cable outlet 4 - 8 mm, gold plated contacts, with UL approval

Product	Contacts: 5, Cable plug connector, short version, cable outlet 4 - 8 mm, with UL approval	Area	M16 IP67 Series 423
Pole	5	Article number	99 5113 40 05

Item description



Installation instructions / Mounting cutout

Gerade Version

(Ausführung mit Schirmklemmring)

1. Druckschraube, Klemmkorb, Dichtung, Distanzhülse und ersten Schirmklemmring auffädeln.
2. Litzen abisolieren, Schirm aufweiten und zweiten Schirmklemmring auffädeln.
3. Litzen anlöten, Distanzhülse montieren, die beiden Klemmringe mit dem Schirm zusammenschieben und überstehenden Schirm abschneiden.
4. Übrige Teile gemäß Darstellung montieren.

Straight version

(Version with shield clamping ring)

1. Bead pressing screw, pinch ring, seal, distance shell and first shield clamping ring on cable.
2. Strip wires, widen shield and bead second shield clamping ring.
3. Solder wires, snap distance shell, push the two shield clamping rings together and cutt off projecting shielding braid.
4. Assemble remaining parts according to picture.

