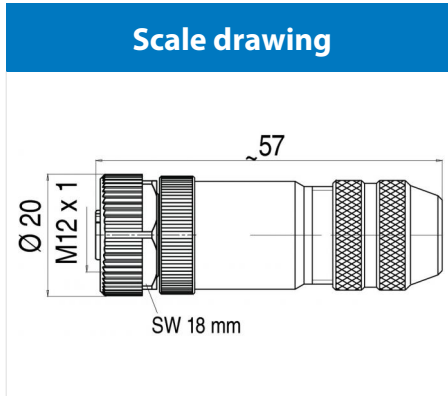
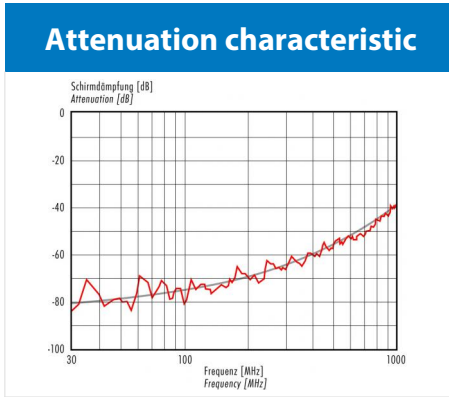


Product	<b>Contacts: 12, Female cable connector, shieldable, solder connection, with offset soldering surfaces, static ring version, with UL approval</b>	Area Article number	<b>M12-A Series 713 99 1492 812 12</b>
Pole	<b>12</b>		



### Contact Arrangement

	X	Y
1	-2,80	0,78
2	-0,78	2,80
3	1,09	2,69
4	2,51	1,46
5	2,88	-0,37
6	2,05	-2,05
7	0,37	-2,88
8	-1,46	-2,51
9	-2,69	-1,09
10	-0,78	0,78
11	1,06	0,29
12	-0,29	-1,06



**You can find the item description and assembly instruction on the next page.**

## Technical data

### Common values

Connector Design	Female cable connector
Connector locking system	screw
Termination	Solder
Wire gauge (mm)	0.25 mm <sup>2</sup>
Wire gauge (AWG)	24
Cable outlet	6 - 8 mm
Upper temperature	85 °C
Lower temperature	-40 °C

### Electrical values

Rated voltage	30 V
Rated impulse voltage	500 V
Pollution degree	3
Overvoltage category	II
Material group	II
Rated current (40°C)	2 A
Volume resistivity	≤ 3 mΩ
EMV compliance	shielded
Degree of protection	IP67
Mechanical operation	> 100 mating cycles

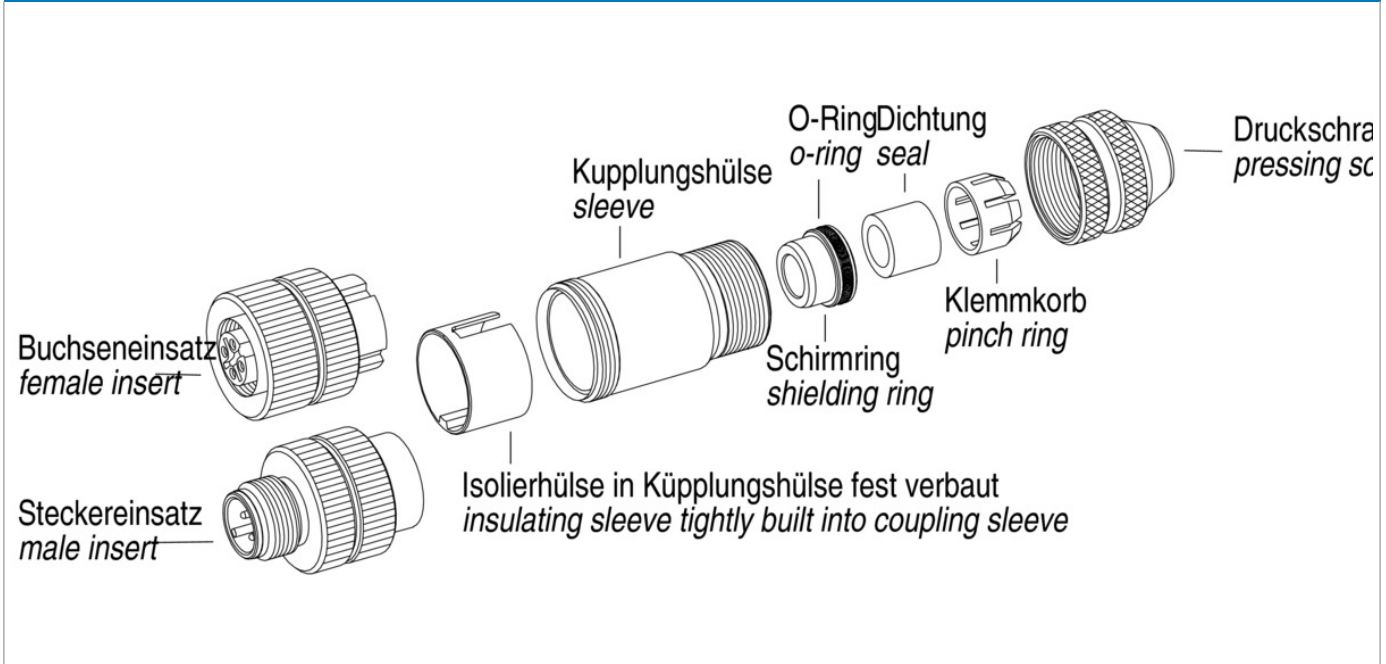
### Material

Material of contact	CuSn (Bronze)
Contact plating	Au (Gold)
Material of contact body	PA
Material of housing	Nickel-plated zinc die casting

**Contacts: 12, Cable outlet: 6-8 mm, Female cable connector, shieldable, solder connection, with offset soldering surfaces, static ring version, with die-cast threaded ring**

Product	<b>Contacts: 12, Female cable connector, shieldable, solder connection, with offset soldering surfaces, static ring version, with UL approval</b>	Area	<b>M12-A Series 713</b>
Pole	<b>12</b>	Article number	<b>99 1492 812 12</b>

### Item description



### Installation instructions / Mounting cutout

35 abmanteln *dismantle strip*  
A abisolieren

6

Schirm kürzen und auf Schirmring umschlagen *shorten shield and revert to shielding ring*

Öffnungswerkzeug für Käfigzugfederversion *opening tool for wire clamp connection*

	Schraubklemmversion <i>screw connection</i>	Lötversion <i>solder version</i>	Käfigzugfederversion <i>wire clamp connection</i>
Maß A/mm <i>measure A/mm</i>	<b>5</b>	<b>3,5</b>	<b>7</b>