

Product sheet

Miniature connector



Product
Pole

Contacts: 12, Female angled connector
12

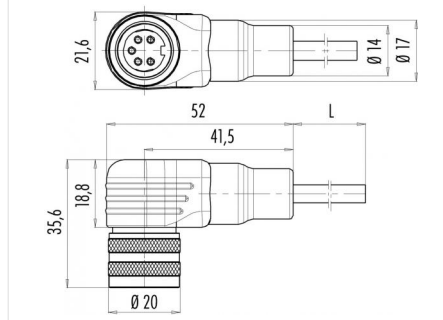
Area
Article number

M16 IP67 Series 425
79 6230 200 12

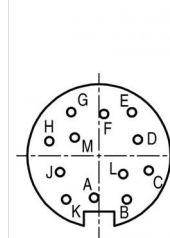
Illustration



Scale drawing



Contact Arrangement



- A weiß
- B braun
- C grün
- D gelb
- E grau
- F rosa
- G blau
- H rot
- J schwarz
- K violett
- L grau/rosa
- M rot/blau

Technical data

Common values

Connector Design	Female angled connector
Connector locking system	screw
Termination	solder, injection-moulded cable
Wire gauge (mm)	0.25 mm ²
Wire gauge (AWG)	24
Cable outlet	-
Upper temperature	70 °C
Lower temperature	-25 °C

Cable data

material housing	PUR
Insulation single lead	PVC
Single lead structure	14x0.15 mm
Cable sheath Ø	7
Bending radius cable fixed	70 mm
Bending radius cable movable	105 mm
Cable diameter	7

Electrical values

Rated voltage	60 V
Rated impulse voltage	500 V
Pollution degree	1
Overvoltage category	I
Material group	III
Rated current (40°C)	3 A
Volume resistivity	≤ 3 mΩ
EMV compliance	not shielded
Degree of protection	IP67
Mechanical operation	> 500 mating cycles

Material

Material of contact	CuSn (Bronze)
Contact plating	Au (Gold)
Material of contact body	PBT (UL 94 V-0)
Material of housing	PUR

Contacts: 12, Cable: 12 x 0.25 mm², female angled connector