

Product sheet

Miniature connector



| | | | |
|---------|--|----------------|----------------------------------|
| Product | Contacts: 7, Female cable connector, shieldable | Area | Push-Pull IP67 Series 440 |
| Pole | 7 | Article number | 99 4826 00 07 |

| Illustration | Scale drawing | Contact Arrangement | | | | | | | | | | | | | | | | | | | | | | | | |
|--------------|---------------|--|--|---|---|---|------|-------|---|------|------|---|------|------|---|-------|------|---|-------|------|---|-------|-------|---|------|------|
| | | <table border="1" style="margin-left: auto; margin-right: auto;"> <thead> <tr> <th></th> <th>X</th> <th>Y</th> </tr> </thead> <tbody> <tr><td>1</td><td>1,75</td><td>-3,03</td></tr> <tr><td>2</td><td>3,50</td><td>0,00</td></tr> <tr><td>3</td><td>1,75</td><td>3,03</td></tr> <tr><td>4</td><td>-1,75</td><td>3,03</td></tr> <tr><td>5</td><td>-3,50</td><td>0,00</td></tr> <tr><td>6</td><td>-1,75</td><td>-3,03</td></tr> <tr><td>7</td><td>0,00</td><td>0,00</td></tr> </tbody> </table> | | X | Y | 1 | 1,75 | -3,03 | 2 | 3,50 | 0,00 | 3 | 1,75 | 3,03 | 4 | -1,75 | 3,03 | 5 | -3,50 | 0,00 | 6 | -1,75 | -3,03 | 7 | 0,00 | 0,00 |
| | X | Y | | | | | | | | | | | | | | | | | | | | | | | | |
| 1 | 1,75 | -3,03 | | | | | | | | | | | | | | | | | | | | | | | | |
| 2 | 3,50 | 0,00 | | | | | | | | | | | | | | | | | | | | | | | | |
| 3 | 1,75 | 3,03 | | | | | | | | | | | | | | | | | | | | | | | | |
| 4 | -1,75 | 3,03 | | | | | | | | | | | | | | | | | | | | | | | | |
| 5 | -3,50 | 0,00 | | | | | | | | | | | | | | | | | | | | | | | | |
| 6 | -1,75 | -3,03 | | | | | | | | | | | | | | | | | | | | | | | | |
| 7 | 0,00 | 0,00 | | | | | | | | | | | | | | | | | | | | | | | | |

You can find the item description and assembly instruction on the next page.

Technical data

Common values

| | |
|--------------------------|------------------------|
| Connector Design | Female cable connector |
| Connector locking system | Push-Pull |
| Termination | Solder |
| Wire gauge (mm) | 0.75 mm ² |
| Wire gauge (AWG) | 20 |
| Cable outlet | 4 - 8 mm |
| Upper temperature | 85 °C |
| Lower temperature | -40 °C |

Electrical values

| | |
|-----------------------|----------------------|
| Rated voltage | 125 V |
| Rated impulse voltage | 800 V |
| Pollution degree | 1 |
| Overvoltage category | I |
| Material group | III |
| Rated current (40°C) | 5 A |
| Volume resistivity | ≤ 3 mΩ |
| EMV compliance | shielded |
| Degree of protection | IP67 |
| Mechanical operation | > 1000 mating cycles |

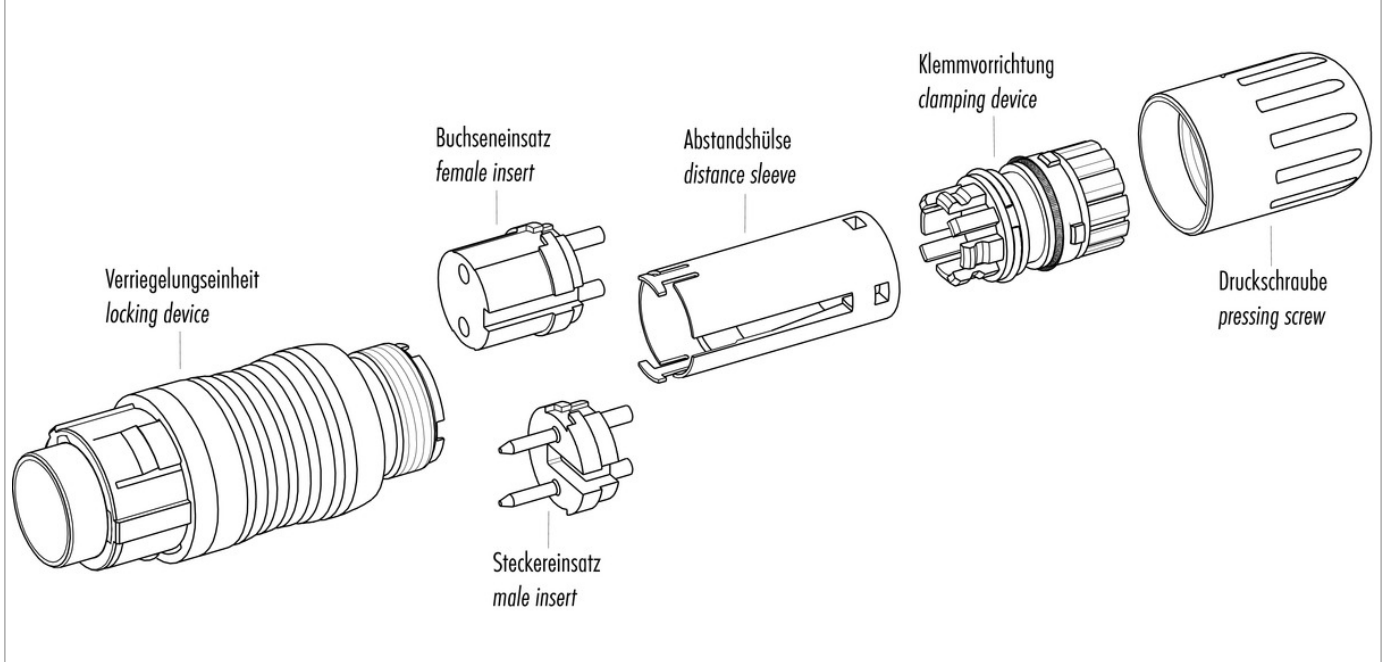
Material

| | |
|--------------------------|----------------------|
| Material of contact | CuSn (Bronze) |
| Contact plating | Au (Gold) |
| Material of contact body | PBT (UL 94 V-0) |
| Material of housing | PA GF 25 (UL 94 V-0) |

Contacts: 7, Female cable connector, shieldable

| | | | |
|---------|--|----------------|----------------------------------|
| Product | Contacts: 7, Female cable connector, shieldable | Area | Push-Pull IP67 Series 440 |
| Pole | 7 | Article number | 99 4826 00 07 |

Item description



Installation instructions / Mounting cutout

1. Abmanteln auf L = 33mm.
Umarmleitung nicht abstreifen.
2. Druckschraube und Klemmvorrichtung aufziehen. Umarmleitung entfernen.
3. Litzen abisolieren und verzinnen.
4. Abschirmung aufwickeln und ausklemmen. Die Abschirmlitzen in der Krone rundum einfügen.
5. Abstandshülse und Klemmvorrichtung versetzen.
6. Gesteckte Einheit nach hinten übers Kabel schieben (ca. 10mm).
7. Einlöten anlöten.
8. Gesteckte Einheit nach vorne schieben bis sie in den Kontakteinsatz einrastet.
9. Abschirmlitzen in Richtung Abschirmung abstreifen und kürzen.
zu lang: Litzen auf Dichtung - undicht
zu kurz: kein Kontakt zu Wellenring
10. Montierte Einheit in Trägerhülse stecken und Druckschraube festziehen.

1. Strip to 33mm length but do not take off cable jacket.
2. Beed pressing screw and clamp device. Remove cable jacket.
3. Strip the insulation off the wires and tin them. Tin lead wires around top.
4. Fan shielding braid and comb out.
5. Lock distance sleeve and clamp device.
6. Push mated units backwards over cable (approx. 10mm).
7. Solder inserts.
8. Push mated units forward until snap-in to contact insert.
9. Strip wires towards shielding ring and shorten: too long: wires on sealing ring - not tight too short: no contact to wave washer
10. Push assembled unit into center sleeve and tighten pressing screw.

