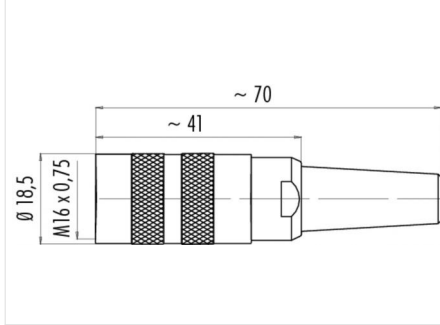


Product **Contacts: 4, female cable connector with cable clamp, shieldable, cable outlet 6 - 8 mm, silver plated contacts**  
 Area **M16 IP40 Series 581**  
 Article number **99 2010 20 04**

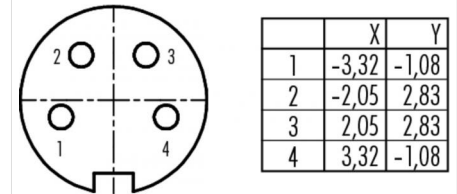
### Illustration



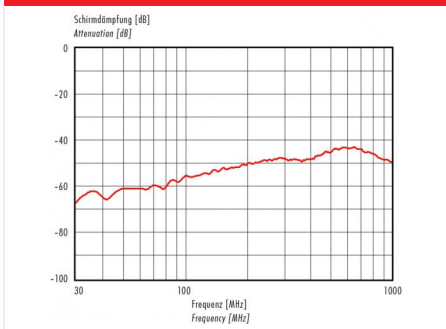
### Scale drawing



### Contact Arrangement



### Attenuation characteristics



You can find the item description on the next page.

## Technical data

### General features

Connector Design	Cable socket
Connector locking system	bolted
Termination	solder
Wire gauge (mm)	0,75 mm <sup>2</sup>
Wire gauge (AWG)	20
Cable outlet	6 - 7,8 mm
Upper temperature	85 °C
Lower temperature	-40 °C

### Electrical parameters

Rated voltage	250 V
Rated impulse voltage	1500 V
Pollution degree	1
Overvoltage category	I
Material group	III
Rated current (40°C)	6 A
Volume resistivity	≤ 5 mΩ
EMV compliance	shielded
Degree of protection	IP40

### Material

Material of contact	CuSn (Bronze)
Contact plating	Ag (silver)
Material of contact body	PBT (UL 94 V-0)

Product **Contacts: 4, female cable connector with cable clamp, shieldable, cable outlet 6 - 8 mm, silver plated contacts**

Area **M16 IP40 Series 581**  
Article number **99 2010 20 04**

### Item description

