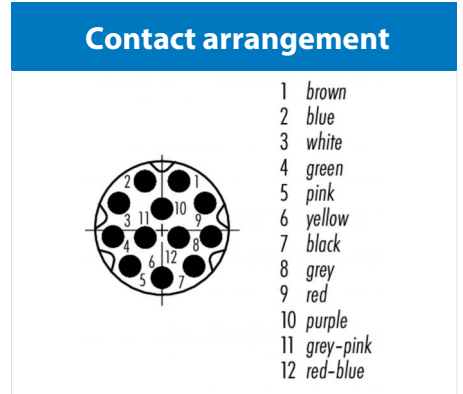
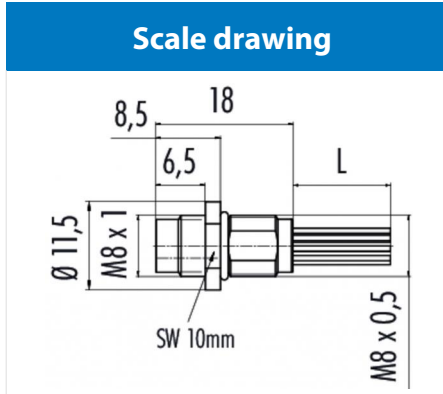


Product description **M8 male panel mount connector, Contacts: 12, not shielded, single wires, IP67**

Area **M8 series 718**  
 Order number **76 6019 0118 00012-0200**



You can find the assembly instructions on the next page.

## Technical data

### General values

|                          |                            |
|--------------------------|----------------------------|
| Connector design         | male panel mount connector |
| Connector locking system | screw                      |
| Termination              | single wires               |
| Wire gauge (mm)          | 0.09 mm <sup>2</sup>       |
| Wire gauge (AWG)         | 28                         |
| Upper limit temperature  | 85 °C                      |
| Lower limit temperature  | - 40 °C                    |
| Customs tariff number    | 85369010                   |

### Electrical values

|                           |                     |
|---------------------------|---------------------|
| Rated current (40 °C)     | 1 A                 |
| Rated voltage             | 30 V                |
| Rated impulse voltage     | 500 V               |
| Pollution degree          | 2                   |
| Overvoltage category      | II                  |
| Insulating material group | I                   |
| EMC compliance            | not shielded        |
| Degree of protection      | IP67                |
| Mechanical operation      | > 100 Mating cycles |

### Material

|                       |                             |
|-----------------------|-----------------------------|
| Contact material      | CuZn (brass)                |
| Contact plating       | Au (gold)                   |
| Contact body material | PA                          |
| Housing material      | Zinc die-cast nickel-plated |

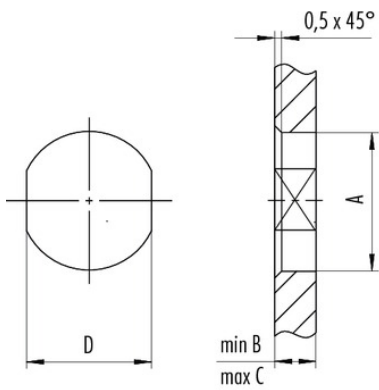
Product description **M8 male panel mount connector, Contacts: 12, not shielded, single wires, IP67**

Area **M8 series 718**  
 Order number **76 6019 0118 00012-0200**

Assembly instructions / Panel cut-out

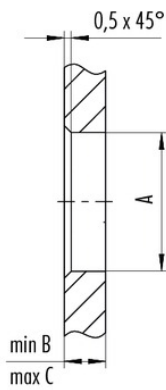
1. Einbauvorschlag

Mit Fläche als Verdrehschutz



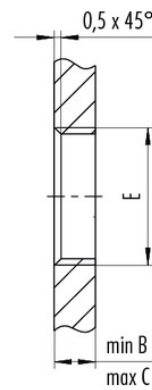
2. Einbauvorschlag

Mit Durchgangsbohrung



3. Einbauvorschlag

Mit Gewinde, einschraubbar



| Gewinde E  | A    | B   | C   | D   |
|------------|------|-----|-----|-----|
| M8 x 0,5   | 8,1  | 2,5 | 3,5 | 7,1 |
| M8 x 1     | 8,1  | 2,5 | 3,5 | 7,1 |
| M10 x 0,75 | 10,1 | 2,5 | 5,0 | 9,1 |

Anzugsdrehmoment 1 Nm

|                     |  |
|---------------------|--|
| Product description | <b>M8 male panel mount connector, Contacts: 12, not shielded, single wires, IP67</b> |
| Area                | <b>M8 series 718</b>   |
| Order number        | <b>76 6019 0118 00012-0200</b>   |

## Security notices

The connectors are designed for use in plant, control system and electrical equipment. The end user is responsible for checking whether the connectors are suitable for use in other applications. Connectors with degree of protection IP 67 and IP 68 are not suitable for use under water. When used outdoors, the connectors must be separately protected against corrosion. For further information about IP degrees of protection refer to 'Technical support' in the Download Centre.