

inserts: page:
CQ 08 8 poles + ⊕ 167
CQ 04/2 4 poles + 2 poles + ⊕ 168

bulkhead mounting housing with single lever



hoods with 2 pegs



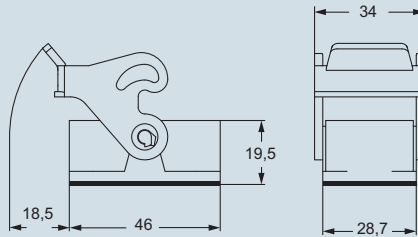
description	part No.	entry Pg	part No.	entry Pg
with lever without cable entry, angled, with lever with cable entry, angled, with lever	CQ 08 I CQ 08 IA CQ 08 IAP	21		
with pegs, side entry *			CQ 08 VA	16
with pegs, top entry *			CQ 08 V	21
with pegs, side and top entry ¹⁾			MQ 08 VO225	25 x 2

* Pg male thread on enclosure exterior

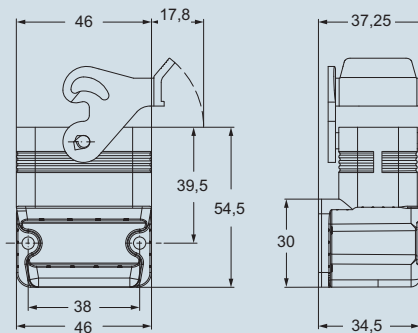
¹⁾ metric thread on the internal enclosure;
 accessories to be ordered separately:
 - **AL M25DN** insulating black sealing plug M25
 - **AL M25IN** insulating black cable gland M25

dimensions in mm

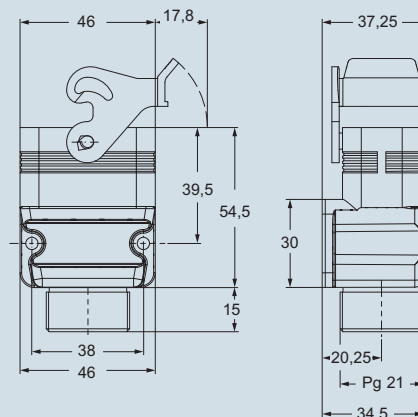
CQ I



CQ IA

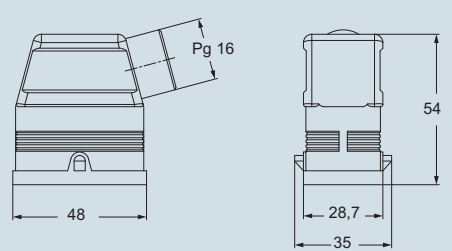


CQ IAP

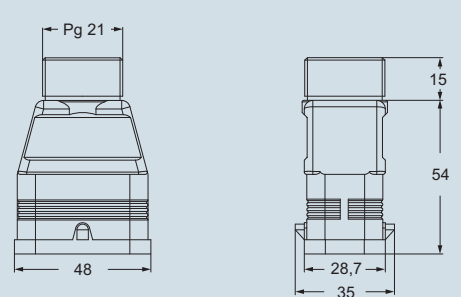


dimensions in mm

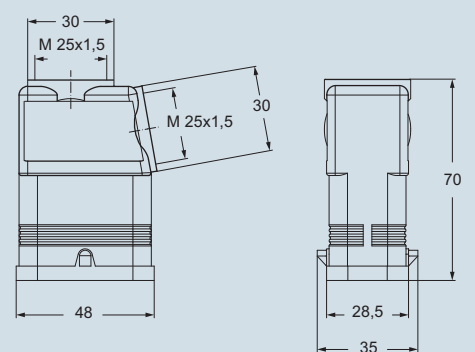
CQ VA



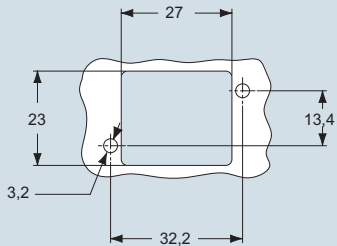
CQ V



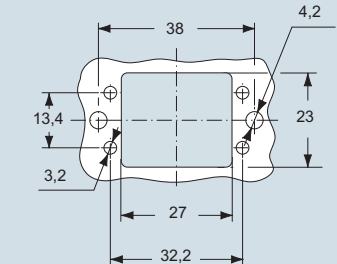
MQ VO



panel cut-out for CQ I enclosure, in mm



panel cut-out for CQ IA - CQ IAP enclosure, in mm



CALUS® Type 4/4X/12
 (pending for MQ 08 VO225)



dimensions shown are not binding
 and may be changed without notice

C-TYPE - size 32.13



inserts: page:
CQ 08 8 poles + ⊕ 167
CQ 04/2 4 poles + 2 poles + ⊕ 168

hoods with single lever



covers with 2 pegs
 thermoplastic resin cable glands



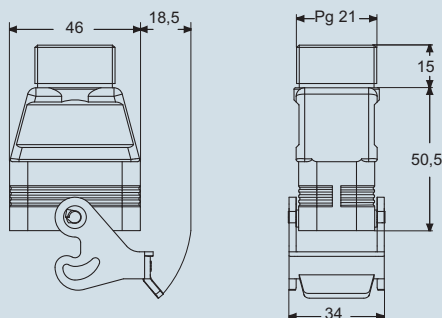
description	part No.	entry Pg	part No.
with lever, top entry *	CQ 08 VG	21	
cover with 2 pegs for female inserts cover with 2 pegs for male inserts			CQ 08 C CQ 08 CA
cable gland head and gasket for CQ 08 VA enclosure cable gland head and gasket for CQ 08 V and VG enclosure			CRQ 16 CRQ 21

* Pg male thread on enclosure exterior

cable diameters for cable glands:
 - CRQ 16: 10 - 14.5 mm
 - CRQ 21: 14 - 18 mm

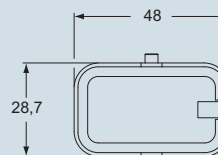
dimensions in mm

CQ VG

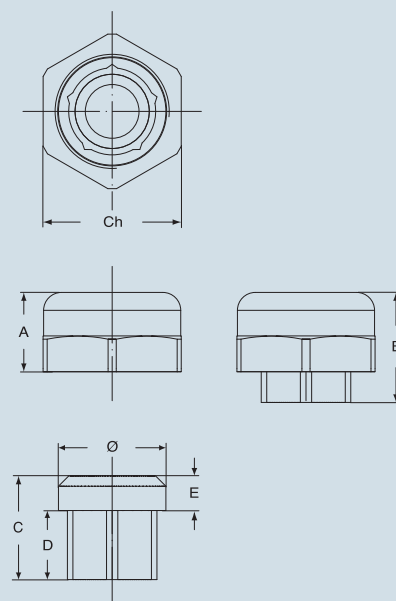


dimensions in mm

CQ C and CQ CA



CRQ 16 and CRQ 21



part No.	A	B	C	D	E	Ø	Ch
CRQ 16	15,5	21,5	20,25	13,5	6,75	21	27
CRQ 21	18,2	27,5	25	15,5	9	26,5	33

CRUIS® Type 4/4X/12



dimensions shown are not binding
 and may be changed without notice

C-TYPE - size 32.13