

# Product sheet

## Miniature connector

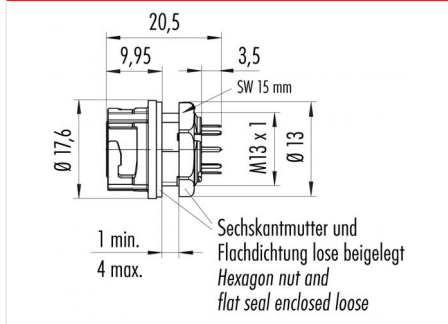


Product	<b>Contacts: 8, Female panel mount connector, dip-solder</b>	Area	<b>Bayonet NCC Series 770</b>
Pole	<b>8</b>	Article number	<b>09 0774 090 08</b>

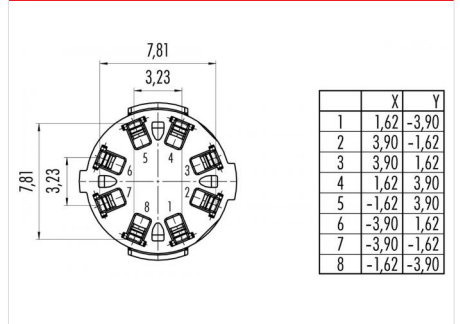
### Illustration



### Scale drawing



### Contact Arrangement



You can find the item description and assembly instruction on the next page.

## Technical data

### Common values

Connector Design	Female panel mount connector
Connector locking system	Bayonet
Termination	dip-solder
Wire gauge (mm)	0.25 mm <sup>2</sup>
Wire gauge (AWG)	max. 24
Upper temperature	85 °C
Lower temperature	-25 °C

### Electrical values

Rated voltage	175 V
Rated impulse voltage	1750 V
Pollution degree	2
Overvoltage category	II
Material group	II
Rated current (40°C)	2 A
Volume resistivity	≤ 15 mΩ
EMV compliance	-
Degree of protection	IP67 auch ungesteckt
Mechanical operation	> 5000 mating cycles

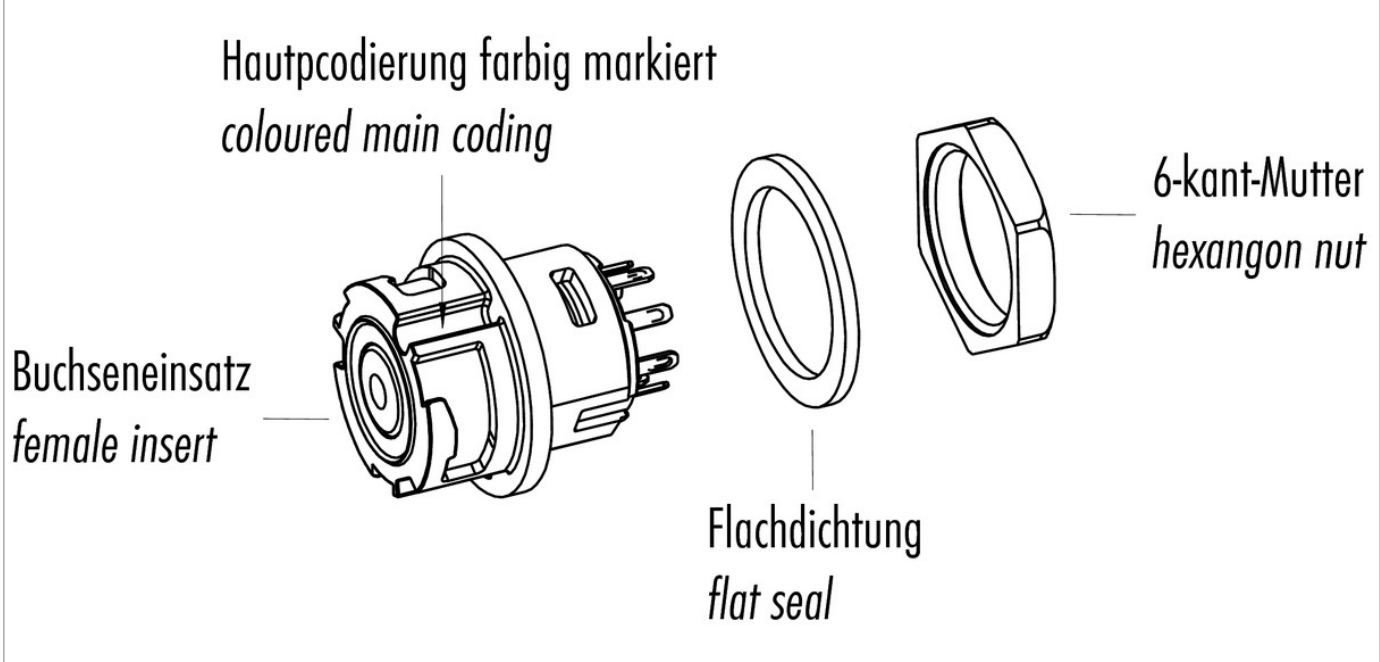
### Material

Material of contact	CuSn (Bronze)
Contact plating	Au (Gold)
Material of contact body	PA (UL 94 V-0)
Material of housing	PA (UL 94 HB)

Contacts: 8, Female panel mount connector, dip-solder

Product	Contacts: 8, Female panel mount connector, dip-solder	Area	Bayonet NCC Series 770
Pole	8	Article number	09 0774 090 08

Item description



Installation instructions / Mounting cutout

