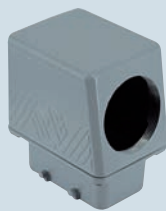


inserts:	page:
<b>CDD</b> ..... 42 poles + ⊕	69
<b>CDS</b> ..... 18 poles + ⊕	79
<b>CSH</b> ..... 10 poles + ⊕	92
<b>CNE, CSE</b> ..... 10 poles + ⊕	105
<b>CCE</b> ..... 10 poles + ⊕	111
<b>CSS</b> ..... 10 poles + ⊕	123
<b>CT, CTSE (16A)</b> ..... 10 poles + ⊕	131
<b>CQE</b> ..... 18 poles + ⊕	139
<b>CMCE</b> ..... 3+2 (aux) poles + ⊕	148
<b>CMSH</b> ..... 3+2 (aux) poles + ⊕	149
<b>CX</b> ..... 8/24 poles + ⊕	169
<b>MIXO</b> ..... 3 modules	179 - 215

insert centre distance:  
57 x 27 mm

hoods with 4 pegs

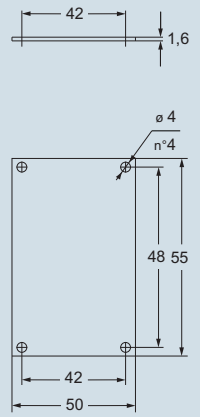


hoods with 4 pegs



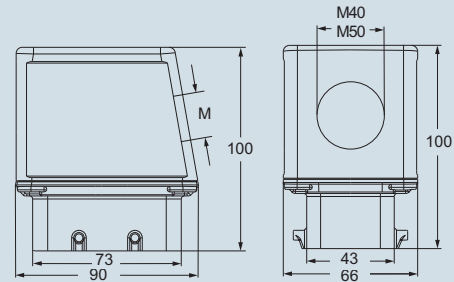
description	part No.	entry M	part No.	entry M
with pegs, side entry	<b>MBO 10.40</b>	40	<b>MBV 10.40</b>	40
with pegs, side entry	<b>MBO 10.50</b>	50	<b>MBV 10.50</b>	50
with pegs, top entry				
with pegs, top entry				

Dimensions of electronic boards for MBO enclosures side entry



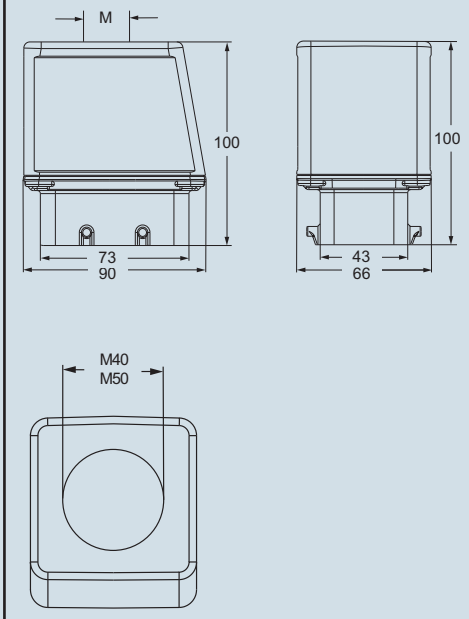
dimensions in mm

MBO 10



dimensions in mm

MBV 10



**CAUS**® Type 4/4X/12



dimensions shown are not binding and may be changed without notice

BIG - size 57.27

inserts:	page:
<b>CDD</b> ..... 42 poles + ⊕	69
<b>CDS</b> ..... 18 poles + ⊕	79
<b>CSH</b> ..... 10 poles + ⊕	92
<b>CNE, CSE</b> ..... 10 poles + ⊕	105
<b>CCE</b> ..... 10 poles + ⊕	111
<b>CSS</b> ..... 10 poles + ⊕	123
<b>CT, CTSE (16A)</b> ..... 10 poles + ⊕	131
<b>CQE</b> ..... 18 poles + ⊕	139
<b>CMCE</b> ..... 3+2 (aux) poles + ⊕	148
<b>CMSH</b> ..... 3+2 (aux) poles + ⊕	149
<b>CX</b> ..... 8/24 poles + ⊕	169
<b>MIXO</b> ..... 3 modules	179 - 215

insert centre distance:  
57 x 27 mm

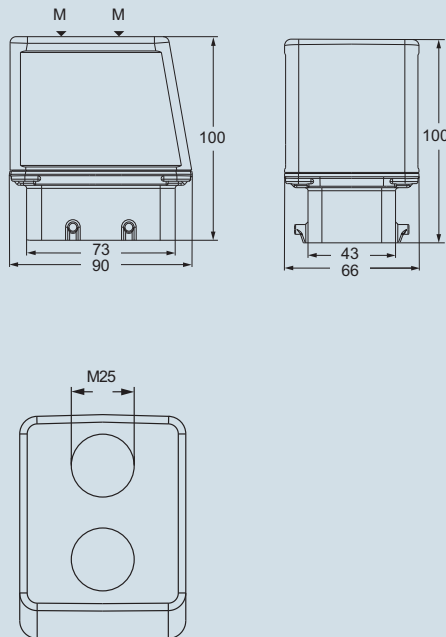
hoods with 4 pegs



description	part No.	entry M
with pegs, top entry	<b>MBV 10.225</b>	25 x 2

dimensions in mm

MBV 10.225



**CAVUS** Type 4/4X/12



dimensions shown are not binding  
and may be changed without notice

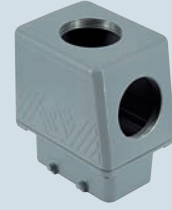
inserts:	page:
<b>CDD</b> ..... 42 poles + ⊕	69
<b>CDS</b> ..... 18 poles + ⊕	79
<b>CSH</b> ..... 10 poles + ⊕	92
<b>CNE, CSE</b> ..... 10 poles + ⊕	105
<b>CCE</b> ..... 10 poles + ⊕	111
<b>CSS</b> ..... 10 poles + ⊕	123
<b>CT, CTSE (16A)</b> ..... 10 poles + ⊕	131
<b>CQE</b> ..... 18 poles + ⊕	139
<b>CMCE</b> ..... 3+2 (aux) poles + ⊕	148
<b>CMSH</b> ..... 3+2 (aux) poles + ⊕	149
<b>CX</b> ..... 8/24 poles + ⊕	169
<b>MIXO</b> ..... 3 modules	179 - 215

insert centre distance:  
57 x 27 mm

hoods with 4 pegs



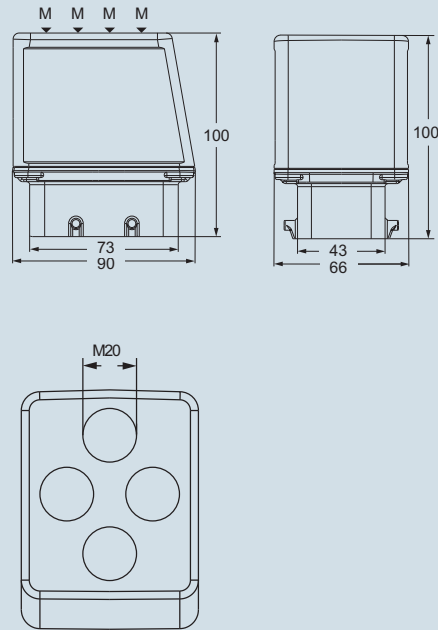
hoods with 4 pegs



description	part No.	entry M	part No.	entry M
with pegs, top entry	<b>MBV 10.420</b>	20 x 4		
with pegs, side and top entries			<b>MBVO 10.240</b>	40 x 2

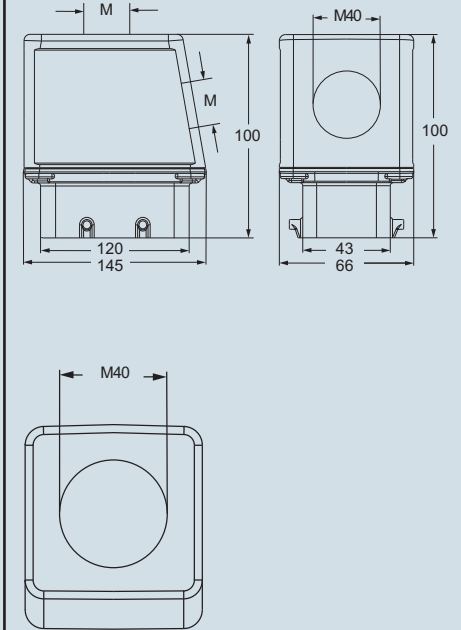
dimensions in mm

**MBV 10.420**



dimensions in mm

**MBVO 10.240**



**CALUS**® Type 4/4X/12



dimensions shown are not binding and may be changed without notice

BIG - size 57.27



inserts:	page:	
<b>CDD</b> ..... 42 poles + ⊕	69	
<b>CDS</b> ..... 18 poles + ⊕	79	
<b>CSH</b> ..... 10 poles + ⊕	92	
<b>CNE, CSE</b> ..... 10 poles + ⊕	105	
<b>CCE</b> ..... 10 poles + ⊕	111	
<b>CSS</b> ..... 10 poles + ⊕	123	
<b>CT, CTSE (16A)</b> ..... 10 poles + ⊕	131	
<b>CQE</b> ..... 18 poles + ⊕	139	
<b>CMCE</b> ..... 3+2 (aux) poles + ⊕	148	
<b>CMSH</b> ..... 3+2 (aux) poles + ⊕	149	
<b>CX</b> ..... 8/24 poles + ⊕	169	
<b>MIXO</b> ..... 3 modules	179 - 215	

insert centre distance:  
57 x 27 mm

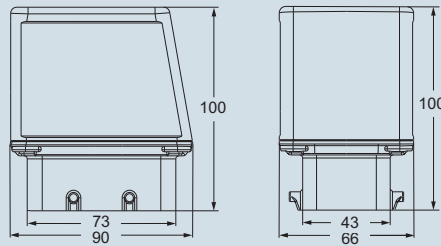
hoods with 4 pegs



description	part no.
with pegs, without entries, designed to be drilled	<b>CBC 10</b>

dimensions in mm

**CBC 10**



**CRUS**® Type 4/4X/12



dimensions shown are not binding  
and may be changed without notice

BIG - size 57.27