

Product 713/763: Seal for square flange plug, plastic
Area M12-A

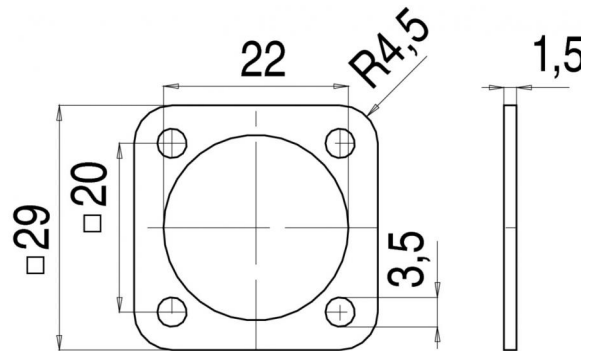
Article number 16 8091 000

Date: 2015-06-04 - Page 1 of 1

Illustration



Scale drawing



Matching products

Square male panel mount connector, adjustable, Optimal contact plating, IP 40, with seal IP 67 (see accessories)