

# Product sheet

## Miniature connector



|         |  |                |                            |
|---------|--|----------------|----------------------------|
| Product | <b>Contacts: 4, cable plug connector with cable clamp, CRIMP connection, shieldable, cable outlet 6 - 8 mm</b> | Area           | <b>M16 IP67 Series 423</b> |
| Pole    | <b>4</b>   | Article number | <b>99 5609 700 04</b>      |

| Illustration | Scale drawing | Contact Arrangement   |  |   |   |   |      |       |   |      |      |   |       |      |   |       |       |
|--------------|---------------|---|--|---|---|---|------|-------|---|------|------|---|-------|------|---|-------|-------|
|              |               | <table border="1" style="margin-left: 20px;"> <thead> <tr> <th></th> <th>X</th> <th>Y</th> </tr> </thead> <tbody> <tr> <td>1</td> <td>3,32</td> <td>-1,08</td> </tr> <tr> <td>2</td> <td>2,05</td> <td>2,83</td> </tr> <tr> <td>3</td> <td>-2,05</td> <td>2,83</td> </tr> <tr> <td>4</td> <td>-3,32</td> <td>-1,08</td> </tr> </tbody> </table> |  | X | Y | 1 | 3,32 | -1,08 | 2 | 2,05 | 2,83 | 3 | -2,05 | 2,83 | 4 | -3,32 | -1,08 |
|              | X             | Y   |  |   |   |   |      |       |   |      |      |   |       |      |   |       |       |
| 1            | 3,32          | -1,08   |  |   |   |   |      |       |   |      |      |   |       |      |   |       |       |
| 2            | 2,05          | 2,83  |  |   |   |   |      |       |   |      |      |   |       |      |   |       |       |
| 3            | -2,05         | 2,83  |  |   |   |   |      |       |   |      |      |   |       |      |   |       |       |
| 4            | -3,32         | -1,08   |  |   |   |   |      |       |   |      |      |   |       |      |   |       |       |

You can find the item description and assembly instruction on the next page.

## Technical data

### Common values

|                          |                            |
|--------------------------|----------------------------|
| Connector Design         | Cable plug connector       |
| Connector locking system | screw                      |
| Termination              | Crimp                      |
| Wire gauge (mm)          | 0.14 - 1.0 mm <sup>2</sup> |
| Wire gauge (AWG)         | 26-18                      |
| Cable outlet             | 6 - 8 mm                   |
| Upper temperature        | 95 °C                      |
| Lower temperature        | -40 °C                     |

### Electrical values

|                       |                     |
|-----------------------|---------------------|
| Rated voltage         | 250 V               |
| Rated impulse voltage | 1500 V              |
| Pollution degree      | 1                   |
| Overvoltage category  | I                   |
| Material group        | III                 |
| Rated current (40°C)  | 6 A                 |
| Volume resistivity    | ≤ 5 mΩ              |
| EMV compliance        | shielded            |
| Degree of protection  | IP67                |
| Mechanical operation  | > 500 mating cycles |

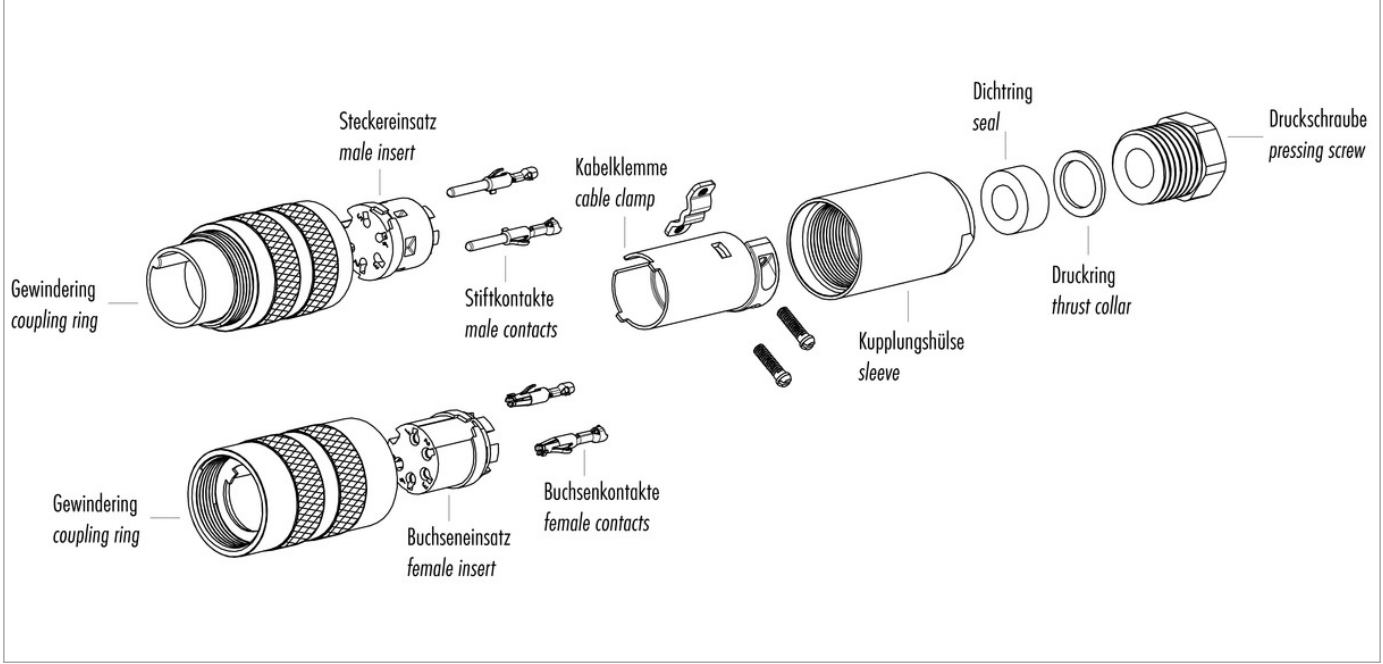
### Material

|                          |                            |
|--------------------------|----------------------------|
| Material of contact      | CuSn (Bronze)              |
| Contact plating          | Ag (Silver)                |
| Material of contact body | PBT (UL 94 V-0)            |
| Material of housing      | CuZn (Brass nickel-plated) |

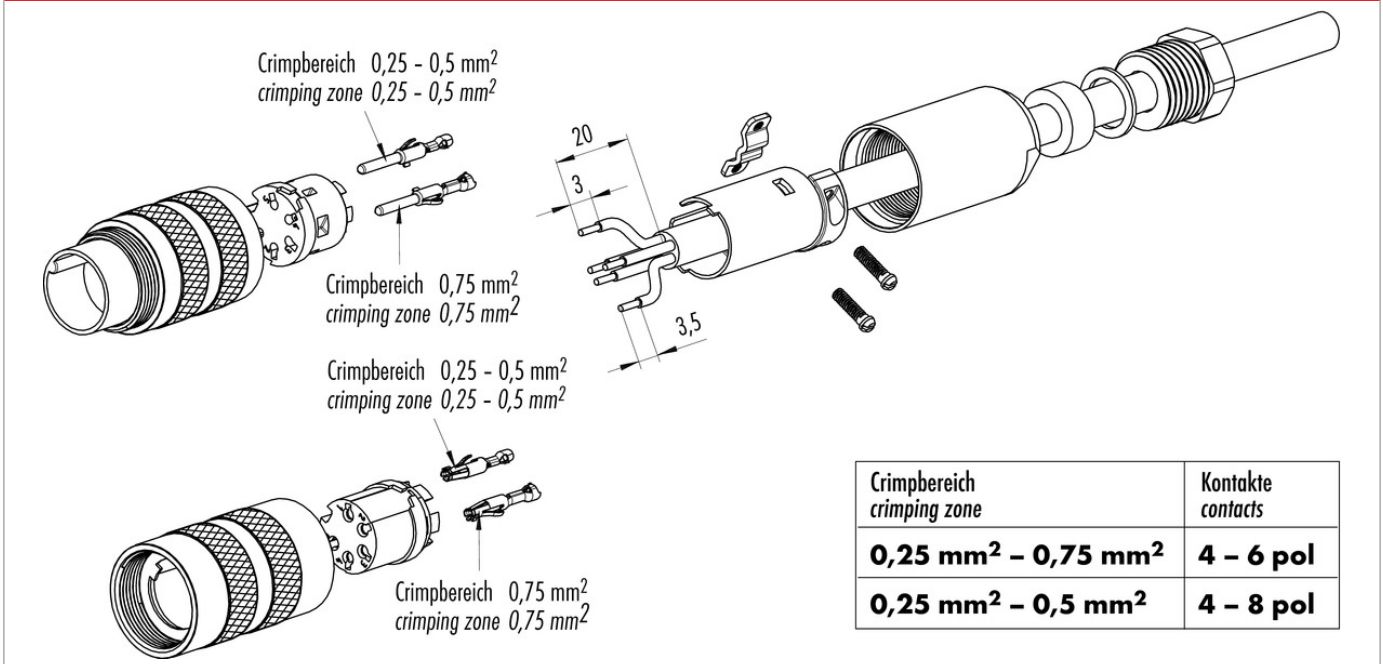
Contacts: 4, cable plug connector with cable clamp, CRIMP connection, shieldable, cable outlet 6 - 8 mm

|         |  |                |                            |
|---------|--|----------------|----------------------------|
| Product | <b>Contacts: 4, cable plug connector with cable clamp, CRIMP connection, shieldable, cable outlet 6 - 8 mm</b> | Area           | <b>M16 IP67 Series 423</b> |
| Pole    | <b>4</b>   | Article number | <b>99 5609 700 04</b>      |

Item description



Installation instructions / Mounting cutout



| Crimpbereich<br>crimping zone                    | Kontakte<br>contacts |
|--|----------------------|
| <b>0,25 mm<sup>2</sup> - 0,75 mm<sup>2</sup></b> | <b>4 - 6 pol</b>     |
| <b>0,25 mm<sup>2</sup> - 0,5 mm<sup>2</sup></b>  | <b>4 - 8 pol</b>     |