

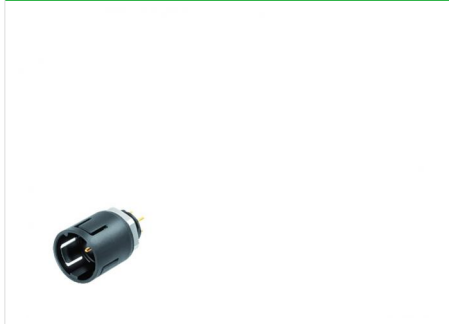
# Product sheet

## Subminiature connector

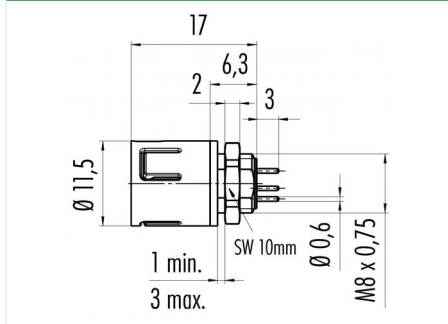


Product	<b>Contacts 4, Male panel mount connector, dip-solder</b>	Area	<b>Snap-in IP67 Series 620</b>
Pole	<b>4</b>	Article number	<b>99 9211 090 04</b>

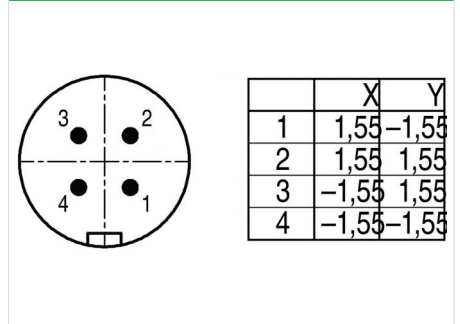
### Illustration



### Scale drawing



### Contact Arrangement



You can find the assembly instruction on the next page.

## Technical data

### Common values

Connector Design	Male panel mount connector
Connector locking system	Snap
Termination	dip-solder
Wire gauge (mm)	-
Wire gauge (AWG)	-
Cable outlet	-
Upper temperature	85 °C
Lower temperature	-25 °C

### Electrical values

Rated voltage	125 V
Rated impulse voltage	1500 V
Pollution degree	2
Overvoltage category	II
Material group	II
Rated current (40°C)	2.5 A
Volume resistivity	≤ 3 mΩ
Degree of protection	IP67
Mechanical operation	> 500 mating cycles

### Cable data

material housing	-
Insulation single lead	-
Single lead structure	-
Conductor resistance	-

### Material

Material of contact	CuZn (Brass)
Contact plating	Au (Gold)
Material of contact body	PA (UL 94 V-0)
Material of housing	PA (UL 94 V-0)

Contacts: 4, Male panel mount connector, dip-solder

Product

Contacts 4, Male panel mount connector,  
dip-solder  
4

Area  
Article number

Snap-in IP67 Series 620  
99 9211 090 04

Pole

Installation instructions / Mounting cutout

