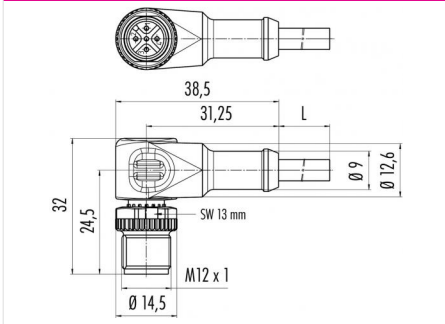


| | | | |
|---------|--|----------------|--------------------------------|
| Product | Contacts: 3, Cable: 3 x 0.5 mm², PUR, male angled connector, overmoulded | Area | M12-B Series 766 |
| Pole | 3 | Article number | 77 4427 0000 50003-0500 |

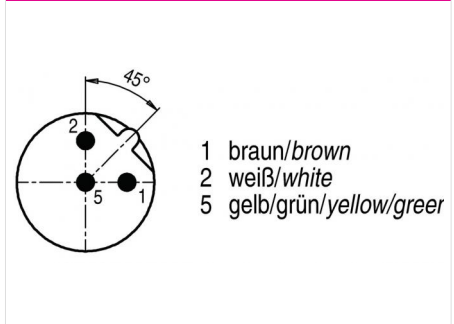
Illustration



Scale drawing



Contact Arrangement



Technical data

Common values

| | |
|--------------------------|--------------------------------|
| Connector Design | Male angled connector |
| Connector locking system | screw |
| Termination | crimp, injection-moulded cable |
| Wire gauge (mm) | 0.50 mm ² |
| Wire gauge (AWG) | 20 |
| Upper temperature | 85 °C |
| Lower temperature | -25 °C |

Cable data

| | |
|--|-------------|
| material housing | PUR |
| Insulation single lead | PVC |
| Single lead structure | 63 x 0.1 mm |
| Cable sheath Ø | 5 |
| Conductor resistance | 39 Ω/Km |
| Temperature range cable movable c from | -5 |
| Temperature range cable movable c to | 70 |
| Temperature range cable fixed c from | -25 |
| Temperature range cable fixed c to | 70 |
| Bending radius cable fixed | 28 mm |
| Bending radius cable movable | 45 mm |
| Cable diameter | 5 |

Electrical values

| | |
|-----------------------|---------------------|
| Rated voltage | 250 V |
| Rated impulse voltage | 2500 V |
| Pollution degree | 3 |
| Overvoltage category | II |
| Material group | II |
| Rated current (40°C) | 4 A |
| Volume resistivity | ≤ 3 mΩ |
| EMV compliance | not shielded |
| Degree of protection | IP68 |
| Mechanical operation | > 100 mating cycles |

Material

| | |
|--------------------------|--------------|
| Material of contact | CuZn (Brass) |
| Contact plating | Au (Gold) |
| Material of contact body | PUR |
| Material of housing | PUR |

Cable length: 3 x 0.5 mm², Contacts: 3, Male angled connector overmoulded, cable length 5 m