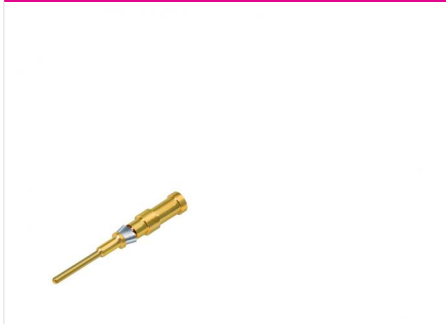
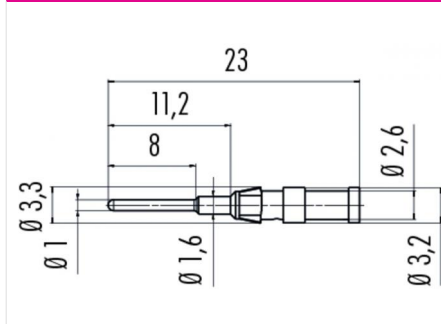


Product **Series 825/876, serie 715: pin contact (VE=100 Each), 0.34-0.5 mm<sup>2</sup>**  
 Article number **61 1154 146**

**Illustration**



**Scale drawing**



**Matching products**

- Kabelstecker, Crimpanschluss
- Kabelstecker, Crimpanschluss, schirmbar
- Female cable connector, crimp termination
- Male angled connector, crimp termination, shieldable
- male cable connector, crimp connection
- female cable connector, crimp connection
- female cable connector, crimp connection
- male cable connector, crimp connection
- Cable plug connector, CRIMP connection, shieldable, CAT 5
- Male angled connector, CRIMP connection, shieldable, CAT 5