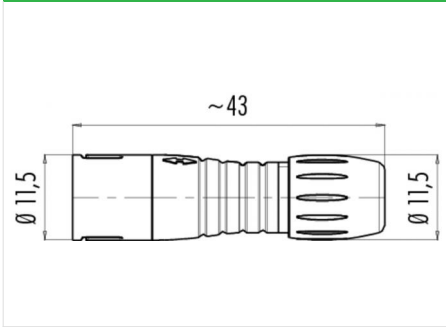


Product	Contacts: 3, Cable plug connector, green
Area	Snap-in IP67, subminiature Series
Article number	99 9205 470 03

Illustration



Scale drawing



Contact Arrangement

	X	Y
1	1,82	-1,05
2	0,00	2,10
3	-1,82	-1,05

You can find the item description on the next page.

Technical data

General features

Connector Design	Cable Connector
Connector locking system	snap
Termination	solder
Wire gauge (mm)	0,25 mm ²
Wire gauge (AWG)	24
Cable outlet	3 - 5 mm
Upper temperature	85 °C
Lower temperature	-25 °C

Electrical parameters

Rated voltage	125 V
Rated impulse voltage	1500 V
Pollution degree	2
Overvoltage category	II
Material group	II
Rated current (40°C)	3 A
Volume resistivity	≤ 3 mΩ
EMV compliance	not shielded
Degree of protection	IP67

Material

Material of contact	CuZn (Messing)
Contact plating	Au (gold)
Material of contact body	PA (UL 94 V-0)

Product **Contacts: 3, Cable plug connector, green**

Area **Snap-in IP67, subminiature Series**
Article number **99 9205 470 03**

Item description

