

Product sheet

Subminiature connector

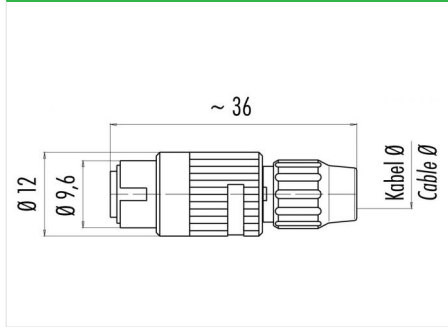


| | | | |
|--------------|---|---------------------|--|
| Product Pole | Contacts: 2, Cable plug connector 2 | Area Article number | Bayonet IP40 Series 710 99 0971 102 02 |
|--------------|---|---------------------|--|

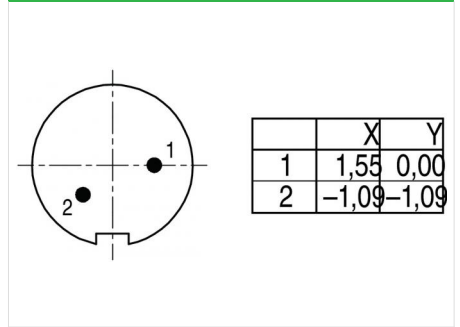
Illustration



Scale drawing



Contact Arrangement



You can find the item description on the next page.

Technical data

Common values

| | |
|--------------------------|----------------------|
| Connector Design | Cable plug connector |
| Connector locking system | Bayonet |
| Termination | Solder |
| Wire gauge (mm) | 0.25 mm ² |
| Wire gauge (AWG) | 24 |
| Cable outlet | 4 - 5 mm |
| Upper temperature | 85 °C |
| Lower temperature | -40 °C |

Cable data

| | |
|------------------------|---|
| material housing | - |
| Insulation single lead | - |
| Single lead structure | - |
| Conductor resistance | - |

Electrical values

| | |
|-----------------------|---------------------|
| Rated voltage | 125 V |
| Rated impulse voltage | 1500 V |
| Pollution degree | 1 |
| Overvoltage category | II |
| Material group | III |
| Rated current (40°C) | 4 A |
| Volume resistivity | ≤ 3 mΩ |
| EMV compliance | not shieldable |
| Degree of protection | IP40 |
| Mechanical operation | > 500 mating cycles |

Material

| | |
|--------------------------|----------------|
| Material of contact | CuZn (Brass) |
| Contact plating | Au (Gold) |
| Material of contact body | PA (UL 94 V-0) |
| Material of housing | PA (UL 94 HB) |

Contacts: 2, cable plug connector, cable outlet 4 -5 mm

Product
Pole

Contacts: 2, Cable plug connector
2

Area
Article number

Bayonet IP40 Series 710
99 0971 102 02

Item description

