



inserts:	page:
CD ..... 128 poles + ⊕	61
CDD ..... 216 poles + ⊕	74
CDS ..... 84 poles + ⊕	83
CSH ..... 48 poles + ⊕	96
CNE, CSE ..... 48 poles + ⊕	109
CCE ..... 48 poles + ⊕	115
CSS ..... 48 poles + ⊕	127
CTSE (16A) *) ..... 48 poles + ⊕	135
CQE ..... 92 poles + ⊕	143
CMCE ..... 20+4 (aux) poles + ⊕	156
CME ..... 20+4 (aux) poles + ⊕	157
CMSH ..... 20+4 (aux) poles + ⊕	157
CMCE ..... 32+4 (aux) poles + ⊕	160
CME ..... 32+4 (aux) poles + ⊕	161
MIXO ..... 6 + 6 modules	179-215

\*) only for enclosure CHIW 48 LS

insert centre distance: 2 x (104 x 27) mm

bulkhead and surface mounting housings

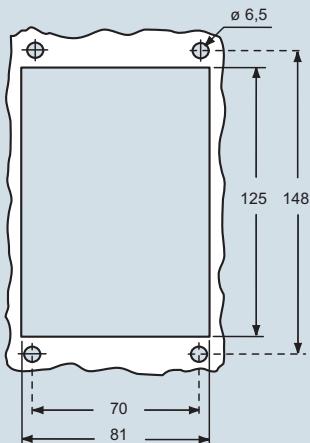


hoods



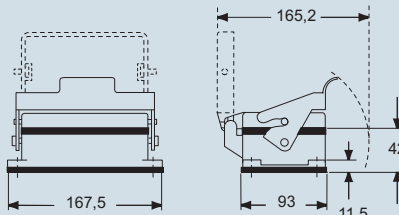
description	part No.	entry Pg	part No.	entry M	part No.	entry Pg	part No.	entry M
bulkhead mounting housings, with lever and cover	<b>CHIW 48 LS</b>	—						
surface mounting housings, with lever and cover	<b>CHPW 48 LS</b>	36 x 1/2	<b>MHPW 48 LS40</b>	40 x 1/2				
side entry, with pegs					<b>CHOW 48 L</b>	36	<b>MHOW 48 L40</b>	40
top entry, with pegs					<b>CHVW 48 L</b>	36	<b>MHVW 48 L40</b>	40

panel cut-out for bulkhead mounting housings in mm

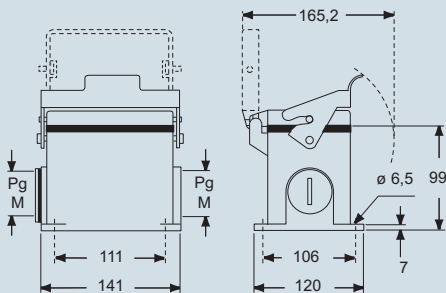


dimensions in mm

CHIW LS

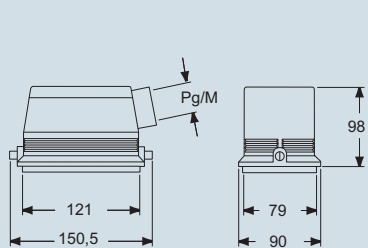


CHPW LS and MHPW LS

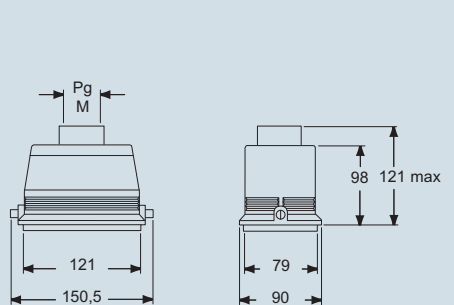


dimensions in mm

CHOW L and MHOW L



CHVW L and MHVW L



**CALUS** Type 4/4X/12



IP69K (compliant with DIN 40050-9)

dimensions shown are not binding and may be changed without notice

W-TYPE - size 104.62