

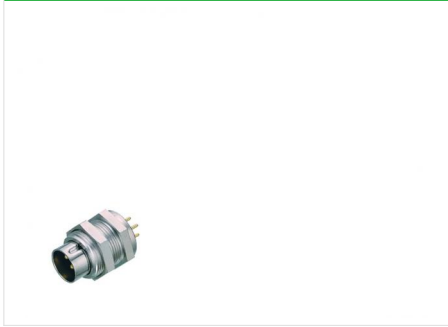
Product sheet

Subminiature connector

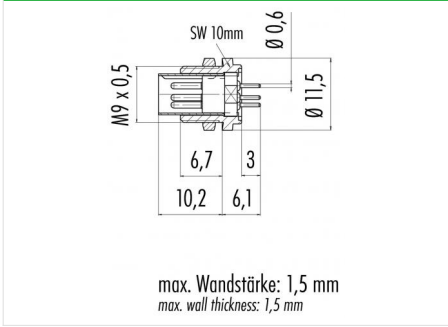


| | | | |
|---------|--|----------------|---------------------------|
| Product | Contacts: 7, Male panel mount connector, dip-solder | Area | M9 IP40 Series 711 |
| Pole | 7 | Article number | 09 0477 22 07 |

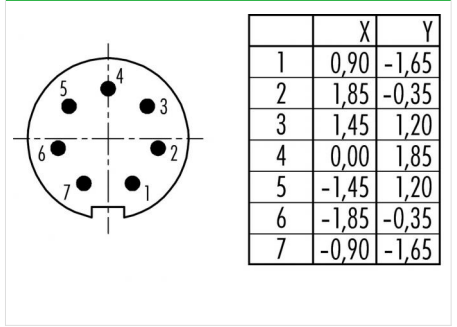
Illustration



Scale drawing



Contact Arrangement



You can find the assembly instruction on the next page.

Technical data

Common values

| | |
|--------------------------|----------------------------|
| Connector Design | Male panel mount connector |
| Connector locking system | screw |
| Termination | dip-solder |
| Wire gauge (mm) | - |
| Wire gauge (AWG) | - |
| Cable outlet | - |
| Upper temperature | 85 °C |
| Lower temperature | -40 °C |

Cable data

| | |
|------------------------|---|
| material housing | - |
| Insulation single lead | - |
| Single lead structure | - |
| Conductor resistance | - |

Electrical values

| | |
|-----------------------|---------------------|
| Rated voltage | 125 V |
| Rated impulse voltage | 1500 V |
| Pollution degree | 1 |
| Overvoltage category | II |
| Material group | III |
| Rated current (40°C) | 1 A |
| Volume resistivity | ≤ 3 mΩ |
| EMV compliance | not shieldable |
| Degree of protection | IP40 |
| Mechanical operation | > 500 mating cycles |

Material

| | |
|--------------------------|----------------------------|
| Material of contact | CuZn (Brass) |
| Contact plating | Au (Gold) |
| Material of contact body | PA (UL 94 V-0) |
| Material of housing | CuZn (Brass nickel-plated) |

Contacts: 7, Male panel mount connector, dip-solder

Product

Contacts: 7, Male panel mount connector,
dip-solder
7

Area
Article number

M9 IP40 Series 711
09 0477 22 07

Pole

Installation instructions / Mounting cutout

